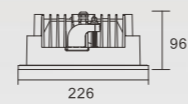
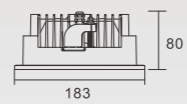
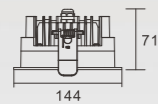
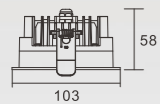


KAS-DL03-R-3
Power: 9W
Cutout: 90mm
Height: 58mm

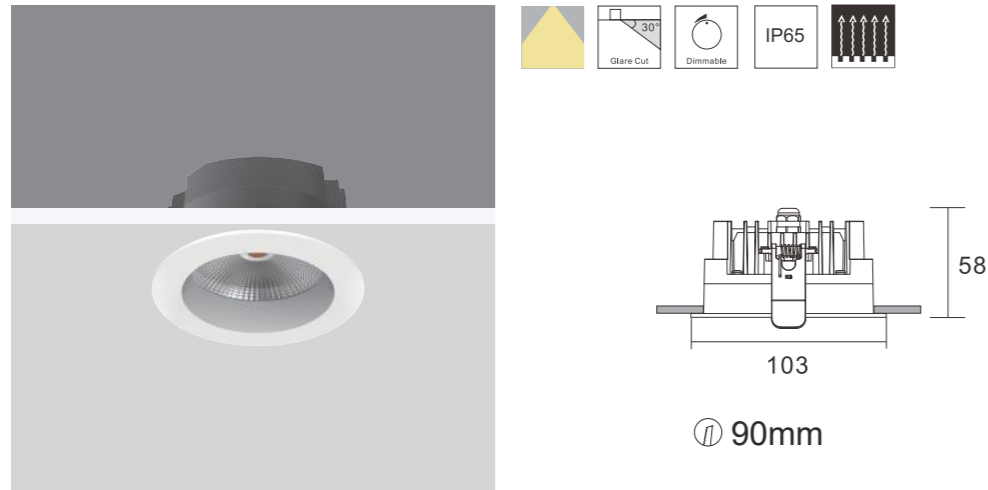
KAS-DL03-R-4
Power: 15W/20W
Cutout: 125-135mm
Height: 71mm

KAS-DL03-R-6
Power: 20W/30W/40W
Cutout: 160-175mm
Height: 80mm

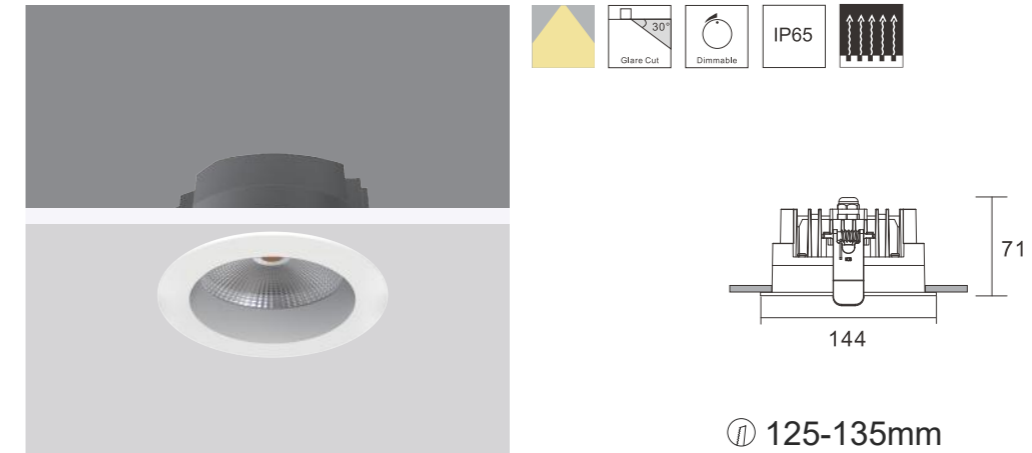
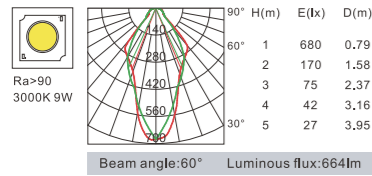
KAS-DL03-R-8
Power: 30W/40W/50W
Cutout: 200-215mm
Height: 96mm



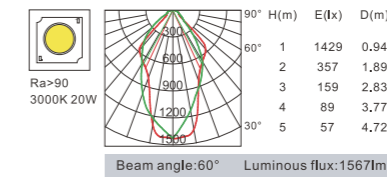
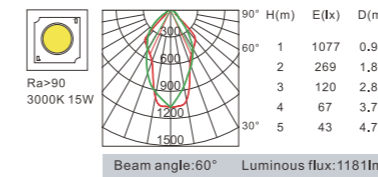
Model	KAS-DL03-R-3	KAS-DL03-R-4	KAS-DL03-R-6	KAS-DL03-R-8
Product Photo				
Dimension(mm)				
Cutout(mm)	90	125-135	160-175	200-215
Wattage	9W	15W/20W	20W/30W/40W	30W/40W/50W
CCT	2700K 3000K 3500K 4000K 5000K	2700K 3000K 3500K 4000K 5000K	2700K 3000K 3500K 4000K 5000K	2700K 3000K 3500K 4000K 5000K
CRI	>90	>90	>90	>90
Beam Angle	60°	60°	60°	60°
Lumen	675LM	1200-1600LM	1800-3400LM	2400-4250LM
IP	IP 65	IP 65	IP 65	IP 65
Dimming	TRIAC/1-10V/DALI	TRIAC/1-10V/DALI	TRIAC/1-10V/DALI	TRIAC/1-10V/DALI
Colour	White+Iron gray	White+Iron gray	White+Iron gray	White+Iron gray

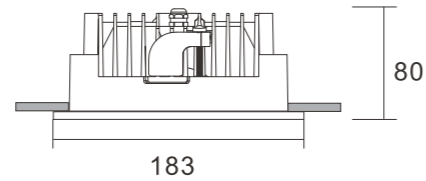
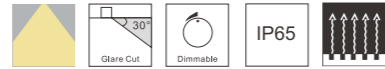


Model	Power	LED voltage	LED Current	CRI	CCT	Beam Angle	LED Output	System output	Dimming Type
KAS-DL03-R-309	9W	36V	200mA	90	2700K	60°	890lm	527lm	ON-OFF TRIAC 1-10V DALI
	9W	36V	200mA	90	3000K	60°	1080lm	664lm	ON-OFF TRIAC 1-10V DALI
	9W	36V	200mA	90	4000K	60°	1265lm	777lm	ON-OFF TRIAC 1-10V DALI



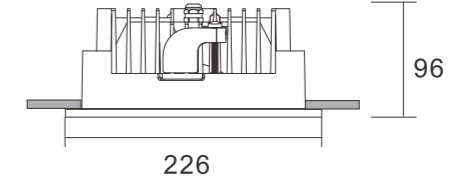
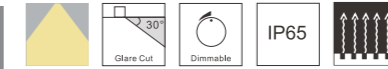
Model	Power	LED voltage	LED Current	CRI	CCT	Beam Angle	LED Output	System output	Dimming Type
KAS-DL03-R-415	15W	36V	350mA	90	2700K	60°	1560lm	944lm	ON-OFF TRIAC 1-10V DALI
	15W	36V	350mA	90	3000K	60°	1950lm	1181lm	ON-OFF TRIAC 1-10V DALI
	15W	36V	350mA	90	4000K	60°	2230lm	1350lm	ON-OFF TRIAC 1-10V DALI
KAS-DL03-R-420	20W	36V	500mA	90	2700K	60°	1595lm	1157lm	ON-OFF TRIAC 1-10V DALI
	20W	36V	500mA	90	3000K	60°	2160lm	1567lm	ON-OFF TRIAC 1-10V DALI
	20W	36V	500mA	90	4000K	60°	2595lm	1882lm	ON-OFF TRIAC 1-10V DALI





183
⌀ 160-175mm

Model	Power	LED voltage	LED Current	CRI	CCT	Beam Angle	LED Output	System output	Dimming Type
KAS-DL03-R-620	20W	36V	500mA	90	2700K	60°	1595lm	1275lm	ON-OFF TRIAC 1-10V DALI
	20W	36V	500mA	90	3000K	60°	2160lm	1727lm	ON-OFF TRIAC 1-10V DALI
	20W	36V	500mA	90	4000K	60°	2595lm	2074lm	ON-OFF TRIAC 1-10V DALI
KAS-DL03-R-630	30W	36V	700mA	90	2700K	60°	1814lm	1413lm	ON-OFF TRIAC 1-10V DALI
	30W	36V	700mA	90	3000K	60°	3024lm	2356lm	ON-OFF TRIAC 1-10V DALI
	30W	36V	700mA	90	4000K	60°	3628lm	2826lm	ON-OFF TRIAC 1-10V DALI
KAS-DL03-R-640	40W	36V	1000mA	90	2700K	60°	3430lm	2917lm	ON-OFF TRIAC 1-10V DALI
	40W	36V	1000mA	90	3000K	60°	3888lm	3307lm	ON-OFF TRIAC 1-10V DALI
	40W	36V	1000mA	90	4000K	90°	4105lm	3491lm	ON-OFF TRIAC 1-10V DALI



226
⌀ 200-215mm

Model	Power	LED voltage	LED Current	CRI	CCT	Beam Angle	LED Output	System output	Dimming Type
KAS-DL03-R-830	30W	36V	700mA	90	2700K	60°	1814lm	1072lm	ON-OFF TRIAC 1-10V DALI
	30W	36V	700mA	90	3000K	60°	3924lm	2321lm	ON-OFF TRIAC 1-10V DALI
	30W	36V	700mA	90	4000K	60°	3628lm	2145lm	ON-OFF TRIAC 1-10V DALI
KAS-DL03-R-840	40W	36V	1000mA	90	2700K	60°	3420lm	2873lm	ON-OFF TRIAC 1-10V DALI
	40W	36V	1000mA	90	3000K	60°	3888lm	3267lm	ON-OFF TRIAC 1-10V DALI
	40W	36V	1000mA	90	4000K	60°	4105lm	3449lm	ON-OFF TRIAC 1-10V DALI
KAS-DL03-R-850	50W	36V	1400mA	90	2700K	60°	4970lm	3996lm	ON-OFF TRIAC 1-10V DALI
	50W	36V	1400mA	90	3000K	60°	5184lm	4169lm	ON-OFF TRIAC 1-10V DALI
	50W	36V	1400mA	90	4000K	60°	5524lm	4442lm	ON-OFF TRIAC 1-10V DALI