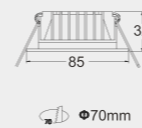




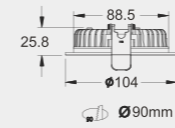
- LED SMD light source is adopted, RA > 90, light efficiency up to 120lm / W
- A variety of opening sizes are available to meet different needs
- The die-casting aluminum structure lamp body is adopted to effectively and quickly dissipate heat and ensure the normal life of the chip
- the high-quality acrylic light transmission panel is used to evenly scatter light, and the light transmittance is as high as 93%, effectively reducing light loss



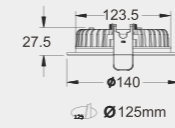
KAS-DL15-A-2
Power: 5W/7W
Cutout: 70mm
Height:32mm



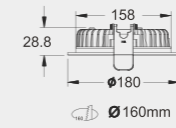
KAS-DL15-A-3
Power: 7W/9W/12W
Cutout: 88.5-90mm
Height:25.8mm



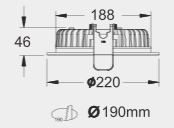
KAS-DL15-A-4
Power: 12W/15W
Cutout: 123-125mm
Height:27.5mm



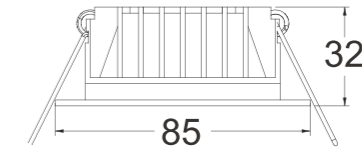
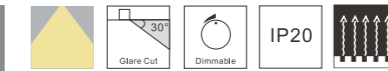
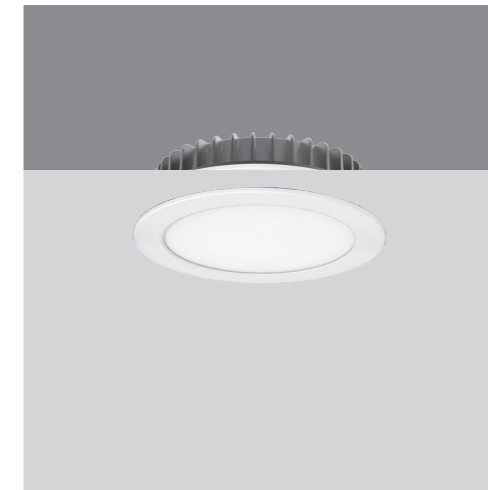
KAS-DL15-A-6
Power: 12W/15W/20W/23W
Cutout: 158-160mm
Height:28.8mm



KAS-DL15-A-8
Power: 20W/23W/30W
Cutout: 188-190mm
Height:46mm

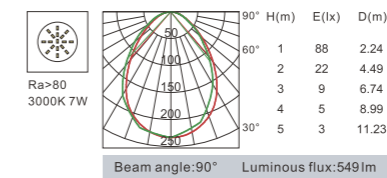
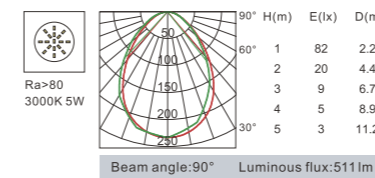


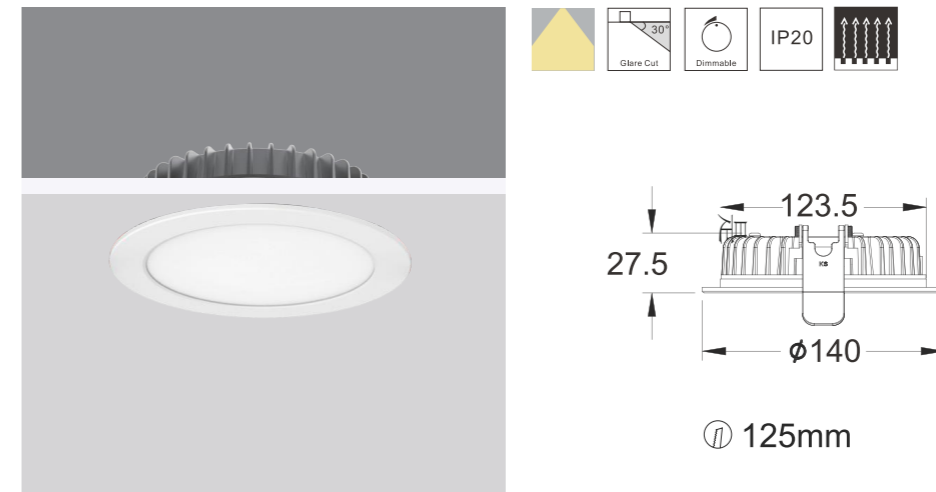
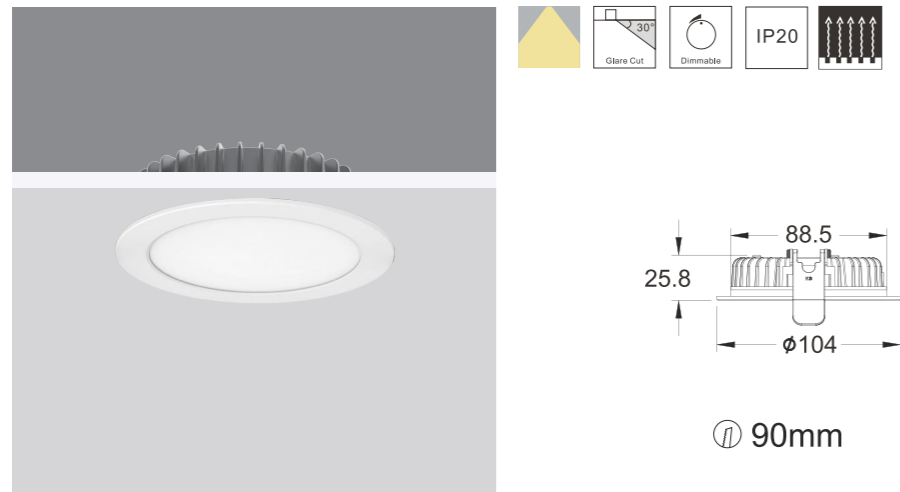
Model	KAS-DL15-A-2	KAS-DL15-A-3	KAS-DL15-A-4	KAS-DL15-A-6	KAS-DL15-A-8
Product Photo					
Dimension(mm)					
Cutout(mm)	70	88.5-90	123-125	158-160	188-190
Wattage	5W/7W	7W/9W/12W	12W/15W	12W/15W/20W/23W	20W/23W/30W
CCT	2700K 3000K 3500K 4000K 5000K	2700K 3000K 3500K 4000K 5000K	2700K 3000K 3500K 4000K 5000K	2700K 3000K 3500K 4000K 5000K	2700K 3000K 3500K 4000K 5000K
CRI	>80	>80	>80	>80	>80
Beam Angle	90°	90°	90°	90°	90°
Lumen	810LM	1500-2000LM	2000-4000LM	3000-5000LM	3000-5000LM
IP	IP 20	IP 20	IP 20	IP 20	IP 20
Dimming	TRIAC/1-10V/DALI	TRIAC/1-10V/DALI	TRIAC/1-10V/DALI	TRIAC/1-10V/DALI	TRIAC/1-10V/DALI
Colour	White+Iron gray	White+Iron gray	White+Iron gray	White+Iron gray	White+Iron gray



70mm

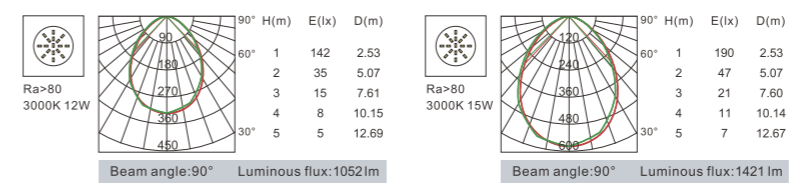
Model	Power	LED voltage	LED Current	CRI	CCT	Beam Angle	LED Output	System output	Dimming Type
KAS-DL15-A-205	5W	36V	120mA	90	2700K	90°	390lm	306lm	ON-OFF TRIAC 1-10V DALI
	5W	36V	120mA	90	3000K	90°	650lm	511lm	ON-OFF TRIAC 1-10V DALI
	5W	36V	120mA	90	4000K	90°	812lm	638lm	ON-OFF TRIAC 1-10V DALI
KAS-DL15-A-207	7W	36V	150mA	90	2700K	90°	546lm	329lm	ON-OFF TRIAC 1-10V DALI
	7W	36V	150mA	90	3000K	90°	910lm	549lm	ON-OFF TRIAC 1-10V DALI
	7W	34V	150mA	90	4000K	90°	1137lm	685lm	ON-OFF TRIAC 1-10V DALI

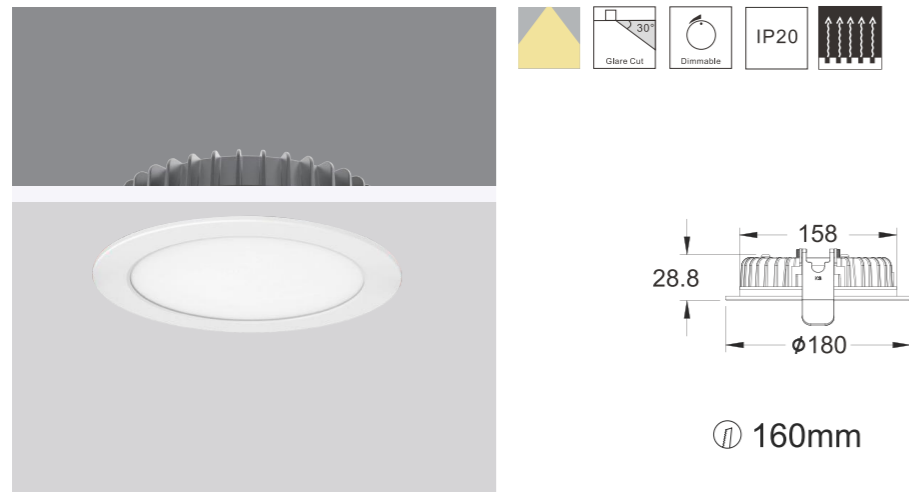




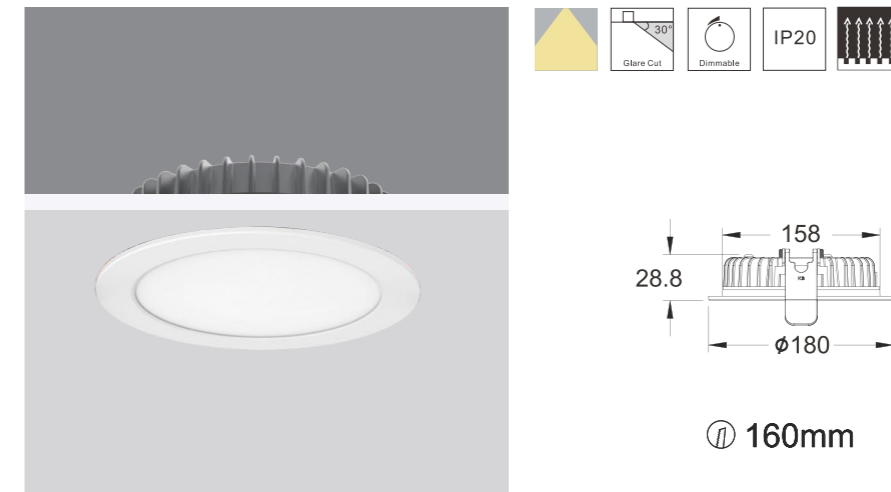
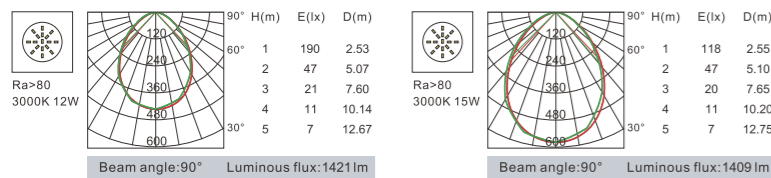
Model	Power	LED voltage	LED Current	CRI	CCT	Beam Angle	LED Output	System output	Dimming Type
KAS-DL15-A-307	7W	36V	150mA	90	2700K	90°	546lm	332lm	ON-OFF TRIAC 1-10V DALI
	7W	36V	150mA	90	3000K	90°	910lm	554lm	ON-OFF TRIAC 1-10V DALI
	7W	36V	150mA	90	4000K	90°	1137lm	692lm	ON-OFF TRIAC 1-10V DALI
KAS-DL15-A-309	9W	36V	250mA	90	2700K	90°	702lm	435lm	ON-OFF TRIAC 1-10V DALI
	9W	36V	250mA	90	3000K	90°	1170lm	725lm	ON-OFF TRIAC 1-10V DALI
	9W	36V	250mA	90	4000K	90°	1462lm	905lm	ON-OFF TRIAC 1-10V DALI
KAS-DL15-A-312	12W	36V	300mA	90	2700K	90°	936lm	626lm	ON-OFF TRIAC 1-10V DALI
	12W	36V	300mA	90	3000K	90°	1560lm	1044lm	ON-OFF TRIAC 1-10V DALI
	12W	36V	300mA	90	4000K	90°	1950lm	1305lm	ON-OFF TRIAC 1-10V DALI

Model	Power	LED voltage	LED Current	CRI	CCT	Beam Angle	LED Output	System output	Dimming Type
KAS-DL15-A-412	12W	36V	300mA	90	2700K	90°	936lm	631lm	ON-OFF TRIAC 1-10V DALI
	12W	36V	300mA	90	3000K	90°	1560lm	1052lm	ON-OFF TRIAC 1-10V DALI
	12W	36V	300mA	90	4000K	90°	1950lm	1315lm	ON-OFF TRIAC 1-10V DALI
KAS-DL15-A-415	15W	36V	350mA	90	2700K	90°	1170lm	852lm	ON-OFF TRIAC 1-10V DALI
	15W	36V	350mA	90	3000K	90°	1951lm	1421lm	ON-OFF TRIAC 1-10V DALI
	15W	36V	350mA	90	4000K	90°	2437lm	1774lm	ON-OFF TRIAC 1-10V DALI

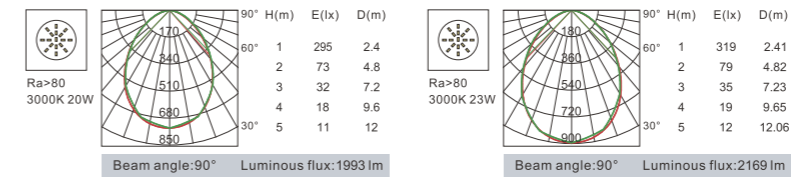


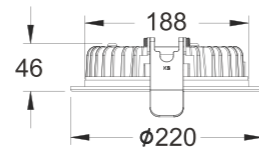
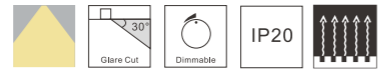


Model	Power	LED voltage	LED Current	CRI	CCT	Beam Angle	LED Output	System output	Dimming Type
KAS-DL15-A-612	12W	36V	300mA	90	2700K	90°	936lm	764lm	ON-OFF TRIAC 1-10V DALI
	12W	36V	300mA	90	3000K	90°	1560lm	1191lm	ON-OFF TRIAC 1-10V DALI
	12W	36V	300mA	90	4000K	90°	1950lm	1488lm	ON-OFF TRIAC 1-10V DALI
KAS-DL15-A-615	15W	36V	350mA	90	2700K	90°	1170lm	844lm	ON-OFF TRIAC 1-10V DALI
	15W	36V	350mA	90	3000K	90°	1951lm	1409lm	ON-OFF TRIAC 1-10V DALI
	15W	36V	350mA	90	4000K	90°	2437lm	1759lm	ON-OFF TRIAC 1-10V DALI



Model	Power	LED voltage	LED Current	CRI	CCT	Beam Angle	LED Output	System output	Dimming Type
KAS-DL15-A-620	20W	36V	500mA	90	2700K	90°	1556lm	1195lm	ON-OFF TRIAC 1-10V DALI
	20W	36V	500mA	90	3000K	90°	2593lm	1993lm	ON-OFF TRIAC 1-10V DALI
	20W	36V	500mA	90	4000K	90°	3241lm	2491lm	ON-OFF TRIAC 1-10V DALI
KAS-DL15-A-623	23W	36V	600mA	90	2700K	90°	1791lm	1309lm	ON-OFF TRIAC 1-10V DALI
	23W	36V	600mA	90	3000K	90°	2966lm	2169lm	ON-OFF TRIAC 1-10V DALI
	23W	36V	600mA	90	4000K	90°	3732lm	2729lm	ON-OFF TRIAC 1-10V DALI





⌀ 190mm

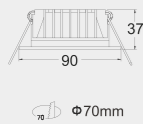


Model	Power	LED voltage	LED Current	CRI	CCT	Beam Angle	LED Output	System output	Dimming Type
KAS-DL15-B-820	20W	36V	500mA	90	2700K	90°	1556lm	1312lm	ON-OFF TRIAC 1-10V DALI
	20W	36V	500mA	90	3000K	90°	2593lm	2178lm	ON-OFF TRIAC 1-10V DALI
	20W	36V	500mA	90	4000K	90°	3241lm	2772lm	ON-OFF TRIAC 1-10V DALI
KAS-DL15-B-823	23W	36V	600mA	90	2700K	90°	1791lm	1518lm	ON-OFF TRIAC 1-10V DALI
	23W	36V	600mA	90	3000K	90°	2986lm	2532lm	ON-OFF TRIAC 1-10V DALI
	23W	36V	600mA	90	4000K	90°	3732lm	3164lm	ON-OFF TRIAC 1-10V DALI
KAS-DL15-B-830	30W	36V	800mA	90	2700K	90°	2338lm	1785lm	ON-OFF TRIAC 1-10V DALI
	30W	36V	800mA	90	3000K	90°	3898lm	2977lm	ON-OFF TRIAC 1-10V DALI
	30W	36V	800mA	90	4000K	90°	4872lm	3720lm	ON-OFF TRIAC 1-10V DALI

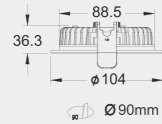
- LED SMD light source is adopted, RA > 90, light efficiency up to 120lm / W
- A variety of opening sizes are available to meet different needs
- The die-casting aluminum structure lamp body is adopted to effectively and quickly dissipate heat and ensure the normal life of the chip
- the high-quality acrylic light transmission panel is used to evenly scatter light, and the light transmittance is as high as 93%, effectively reducing light loss



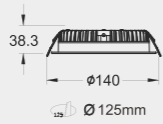
KAS-DL15-B-2
Power: 5W/7W
Cutout: 70mm
Height:37mm



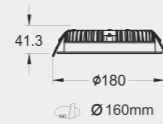
KAS-DL15-B-3
Power: 7W/9W/12W
Cutout: 88.5-90mm
Height:36.3mm



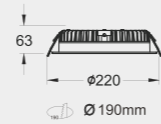
KAS-DL15-B-4
Power: 12W/15W
Cutout: 123-125mm
Height:38.3mm



KAS-DL15-B-6
Power: 12W/15W/20W/23W
Cutout: 158-160mm
Height:41.3mm



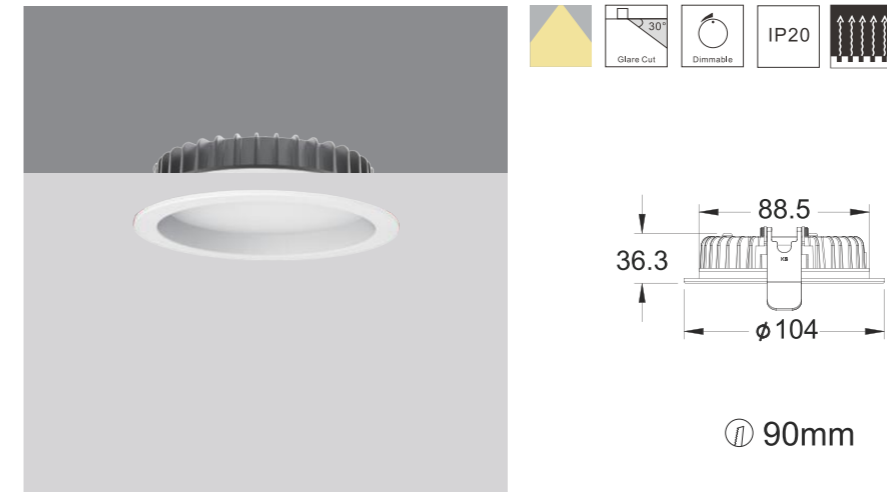
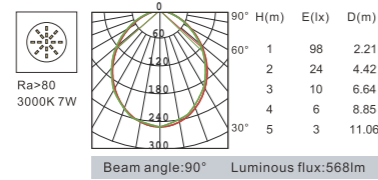
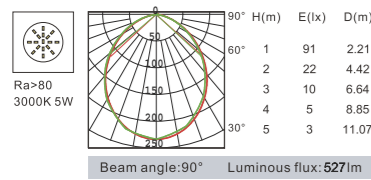
KAS-DL15-B-8
Power: 20W/23W/30W
Cutout: 188-190mm
Height:63mm



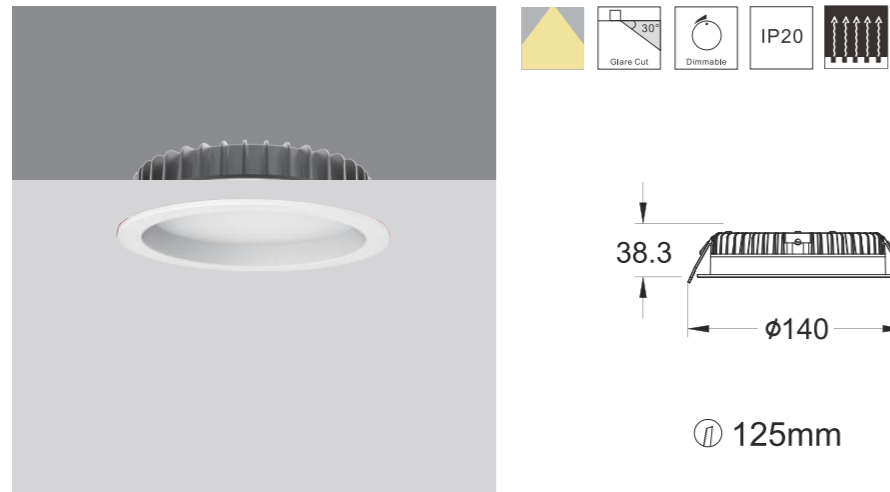
Model	KAS-DL15-B-2	KAS-DL15-B-3	KAS-DL15-B-4	KAS-DL15-B-6	KAS-DL15-B-8
Product Photo					
Dimension(mm)					
Cutout(mm)	70	88.5-90	123-125	158-160	188-190
Wattage	5W/7W	7W/9W/12W	12W/15W	12W/15W/20W/23W	20W/23W/30W
CCT	2700K 3000K 3500K 4000K 5000K	2700K 3000K 3500K 4000K 5000K	2700K 3000K 3500K 4000K 5000K	2700K 3000K 3500K 4000K 5000K	2700K 3000K 3500K 4000K 5000K
CRI	>80	>80	>80	>80	>80
Beam Angle	90°	90°	90°	90°	90°
Lumen	810LM	1500-2000LM	2000-4000LM	3000-5000LM	3000-5000LM
IP	IP 20	IP 20	IP 20	IP 20	IP 20
Dimming	TRIAC/1-10V/DALI	TRIAC/1-10V/DALI	TRIAC/1-10V/DALI	TRIAC/1-10V/DALI	TRIAC/1-10V/DALI
Colour	White+Iron gray	White+Iron gray	White+Iron gray	White+Iron gray	White+Iron gray



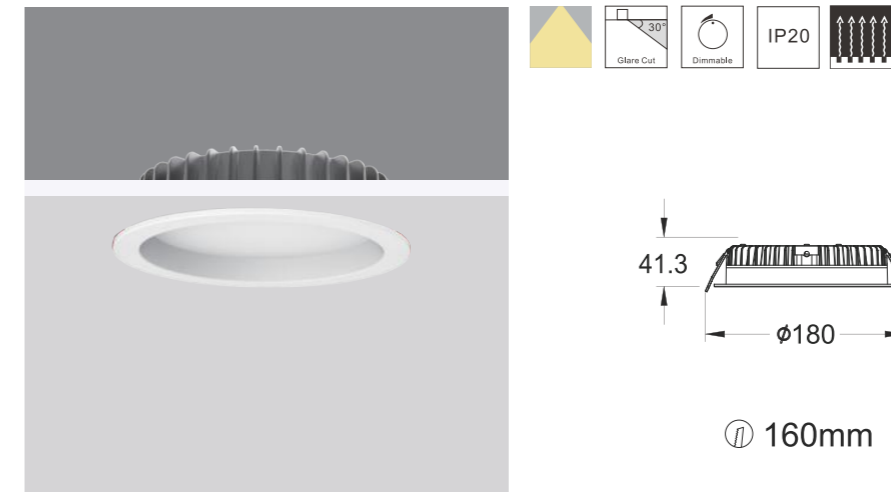
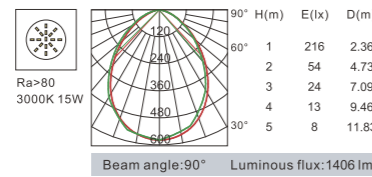
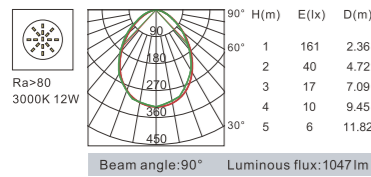
Model	Power	LED voltage	LED Current	CRI	CCT	Beam Angle	LED Output	System output	Dimming Type
KAS-DL15-B-205	5W	36V	120mA	90	2700K	90°	390lm	316lm	ON-OFF TRIAC 1-10V DALI
	5W	36V	120mA	90	3000K	90°	650lm	527lm	ON-OFF TRIAC 1-10V DALI
	5W	36V	120mA	90	4000K	90°	812lm	658lm	ON-OFF TRIAC 1-10V DALI
KAS-DL15-B-207	7W	36V	150mA	90	2700K	90°	546lm	340lm	ON-OFF TRIAC 1-10V DALI
	7W	36V	150mA	90	3000K	90°	910lm	568lm	ON-OFF TRIAC 1-10V DALI
	7W	34V	150mA	90	4000K	90°	1137lm	709lm	ON-OFF TRIAC 1-10V DALI



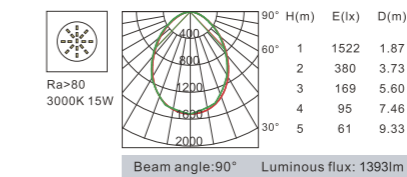
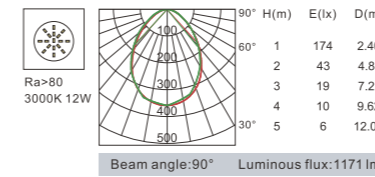
Model	Power	LED voltage	LED Current	CRI	CCT	Beam Angle	LED Output	System output	Dimming Type
KAS-DL15-B-307	7W	36V	150mA	90	2700K	90°	546lm	330lm	ON-OFF TRIAC 1-10V DALI
	7W	36V	150mA	90	3000K	90°	910lm	551lm	ON-OFF TRIAC 1-10V DALI
	7W	36V	150mA	90	4000K	90°	1137lm	688lm	ON-OFF TRIAC 1-10V DALI
KAS-DL15-B-309	9W	36V	250mA	90	2700K	90°	702lm	430lm	ON-OFF TRIAC 1-10V DALI
	9W	36V	250mA	90	3000K	90°	1170lm	718lm	ON-OFF TRIAC 1-10V DALI
	9W	36V	250mA	90	4000K	90°	1462lm	897lm	ON-OFF TRIAC 1-10V DALI
KAS-DL15-B-312	12W	36V	300mA	90	2700K	90°	936lm	621lm	ON-OFF TRIAC 1-10V DALI
	12W	36V	300mA	90	3000K	90°	1560lm	1035lm	ON-OFF TRIAC 1-10V DALI
	12W	36V	300mA	90	4000K	90°	1950lm	1293lm	ON-OFF TRIAC 1-10V DALI

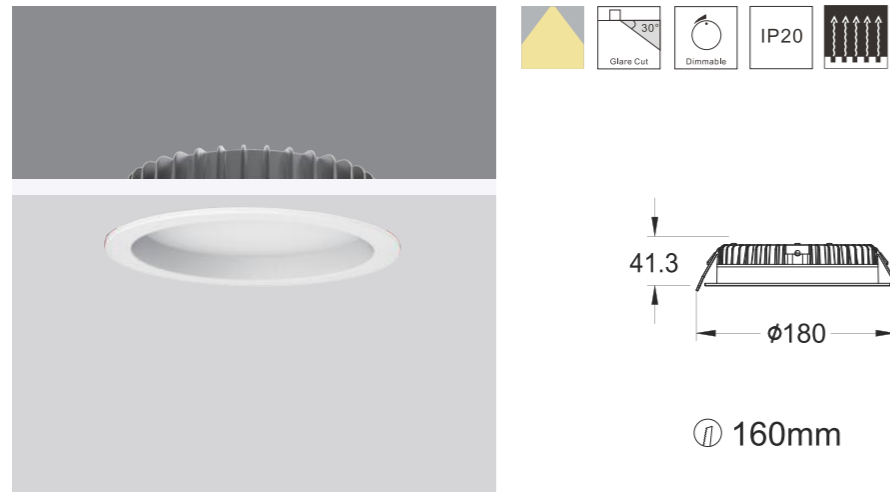


Model	Power	LED voltage	LED Current	CRI	CCT	Beam Angle	LED Output	System output	Dimming Type
KAS-DL15-B-412	12W	36V	300mA	90	2700K	90°	936lm	628lm	ON-OFF TRIAC 1-10V DALI
	12W	36V	300mA	90	3000K	90°	1560lm	1047lm	ON-OFF TRIAC 1-10V DALI
	12W	36V	300mA	90	4000K	90°	1950lm	1308lm	ON-OFF TRIAC 1-10V DALI
KAS-DL15-B-415	15W	36V	350mA	90	2700K	90°	1170lm	843lm	ON-OFF TRIAC 1-10V DALI
	15W	36V	350mA	90	3000K	90°	1951lm	1406lm	ON-OFF TRIAC 1-10V DALI
	15W	36V	350mA	90	4000K	90°	2437lm	1757lm	ON-OFF TRIAC 1-10V DALI

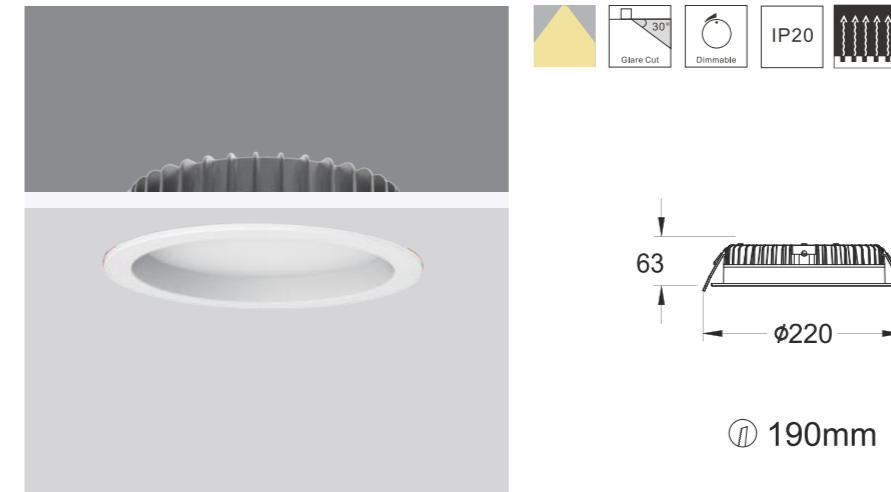
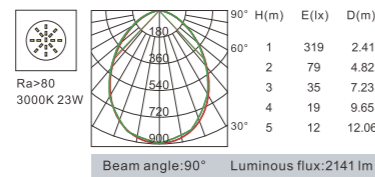
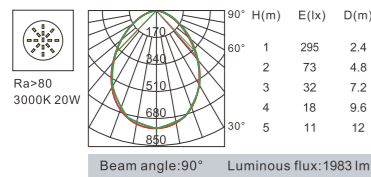


Model	Power	LED voltage	LED Current	CRI	CCT	Beam Angle	LED Output	System output	Dimming Type
KAS-DL15-B-612	12W	36V	300mA	90	2700K	90°	936lm	702lm	ON-OFF TRIAC 1-10V DALI
	12W	36V	300mA	90	3000K	90°	1560lm	1171lm	ON-OFF TRIAC 1-10V DALI
	12W	36V	300mA	90	4000K	90°	1950lm	1463lm	ON-OFF TRIAC 1-10V DALI
KAS-DL15-B-615	15W	36V	350mA	90	2700K	90°	1170lm	835lm	ON-OFF TRIAC 1-10V DALI
	15W	36V	350mA	90	3000K	90°	1951lm	1393lm	ON-OFF TRIAC 1-10V DALI
	15W	36V	350mA	90	4000K	90°	2437lm	1740lm	ON-OFF TRIAC 1-10V DALI





Model	Power	LED voltage	LED Current	CRI	CCT	Beam Angle	LED Output	System output	Dimming Type
KAS-DL15-B-620	20W	36V	500mA	90	2700K	90°	1556lm	1189lm	ON-OFF TRIAC 1-10V DALI
	20W	36V	500mA	90	3000K	90°	2593lm	1983lm	ON-OFF TRIAC 1-10V DALI
	20W	36V	500mA	90	4000K	90°	3241lm	2478lm	ON-OFF TRIAC 1-10V DALI
KAS-DL15-B-623	23W	36V	600mA	90	2700K	90°	1791lm	1392lm	ON-OFF TRIAC 1-10V DALI
	23W	36V	600mA	90	3000K	90°	2966lm	2141lm	ON-OFF TRIAC 1-10V DALI
	23W	36V	600mA	90	4000K	90°	3732lm	2693lm	ON-OFF TRIAC 1-10V DALI



Model	Power	LED voltage	LED Current	CRI	CCT	Beam Angle	LED Output	System output	Dimming Type
KAS-DL15-B-820	20W	36V	500mA	90	2700K	90°	1826lm	1556lm	ON-OFF TRIAC 1-10V DALI
	20W	36V	500mA	90	3000K	90°	3044lm	2593lm	ON-OFF TRIAC 1-10V DALI
	20W	36V	500mA	90	4000K	90°	3804lm	3241lm	ON-OFF TRIAC 1-10V DALI
KAS-DL15-B-823	23W	36V	600mA	90	2700K	90°	2610lm	1791lm	ON-OFF TRIAC 1-10V DALI
	23W	36V	600mA	90	3000K	90°	4352lm	2986lm	ON-OFF TRIAC 1-10V DALI
	23W	36V	600mA	90	4000K	90°	5439lm	3732lm	ON-OFF TRIAC 1-10V DALI
KAS-DL15-B-830	30W	36V	800mA	90	2700K	90°	3562lm	2338lm	ON-OFF TRIAC 1-10V DALI
	30W	36V	800mA	90	3000K	90°	5940lm	3898lm	ON-OFF TRIAC 1-10V DALI
	30W	36V	800mA	90	4000K	90°	7424lm	4872lm	ON-OFF TRIAC 1-10V DALI