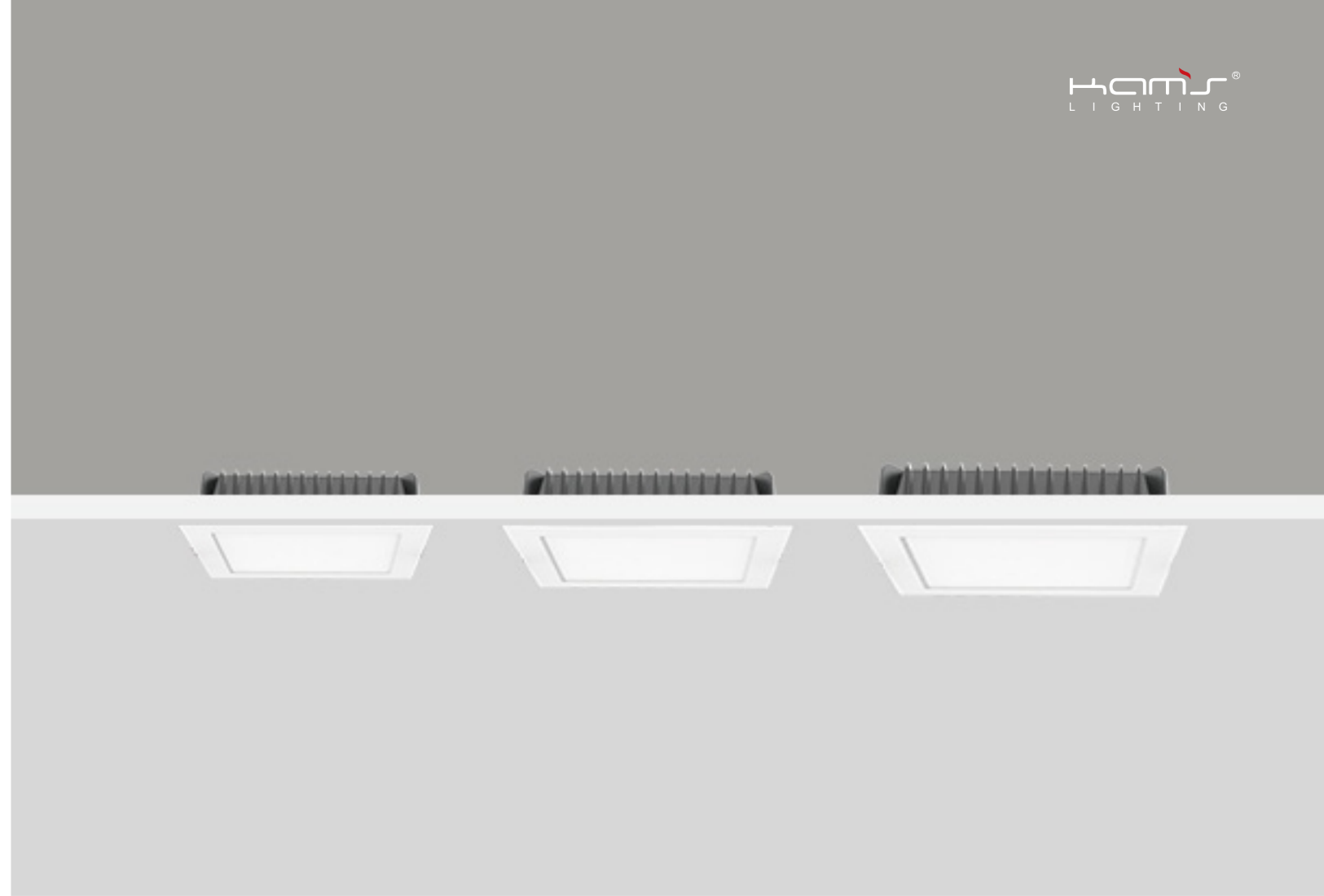
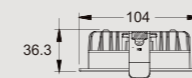
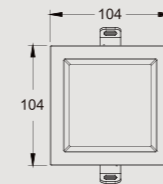




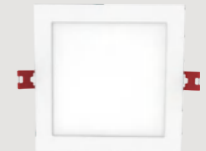
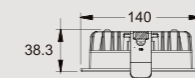
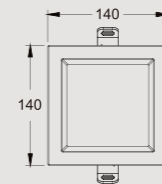
- LED SMD light source is adopted, RA > 90, light efficiency up to 120lm / W
- A variety of opening sizes are available to meet different needs
- The die-casting aluminum structure lamp body is adopted to effectively and quickly dissipate heat and ensure the normal life of the chip
- the high-quality acrylic light transmission panel is used to evenly scatter light, and the light transmittance is as high as 93%, effectively reducing light loss



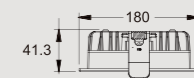
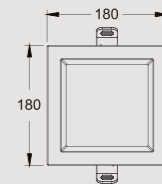
KAS-DL16-A-3
Power: 7W/9W/12W
Cutout: 90*90mm
Height:36.3mm



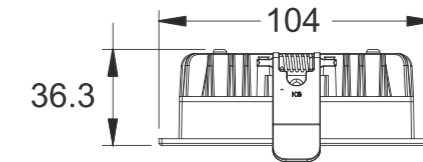
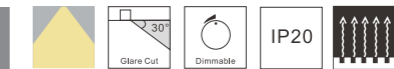
KAS-DL16-A-4
Power: 12W/15W
Cutout: 125*125mm
Height:38.3mm



KAS-DL16-A-6
Power: 15W/20W/23W
Cutout: 160*160mm
Height:41.3mm

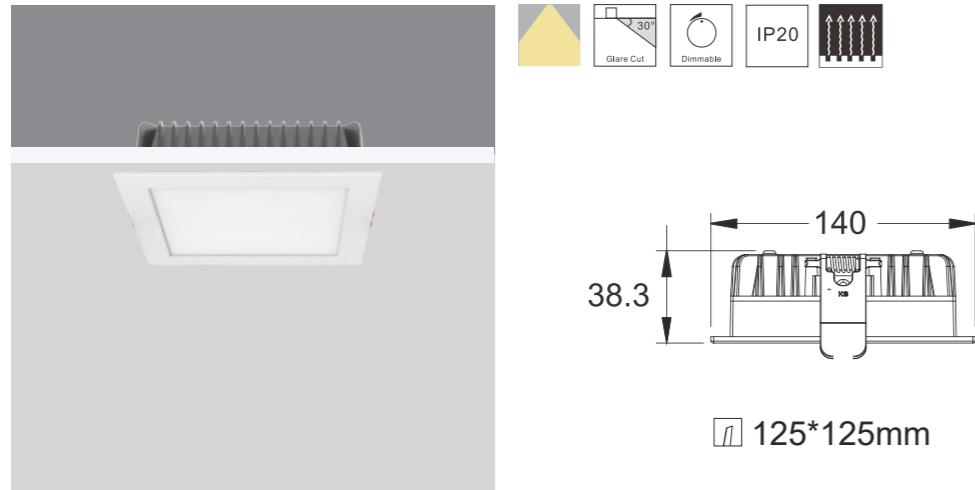


Model	KAS-DL16-A-3	KAS-DL16-A-4	KAS-DL16-A-6
Product Photo			
Dimension(mm)			
Cutout(mm)	90*90	125-125	160-160
Wattage	7W/9W/12W	12W/15W	15W/20W/23
CCT	2700K 3000K 3500K 4000K 5000K	2700K 3000K 3500K 4000K 5000K	2700K 3000K 3500K 4000K 5000K
CRI	>80	>80	>80
Beam Angle	90°	90°	90°
Lumen	810LM	1500-2000LM	2000-4000LM
IP	IP 20	IP 20	IP 20
Dimming	TRIAC/1-10V/DALI	TRIAC/1-10V/DALI	TRIAC/1-10V/DALI
Colour	White+Iron gray	White+Iron gray	White+Iron gray



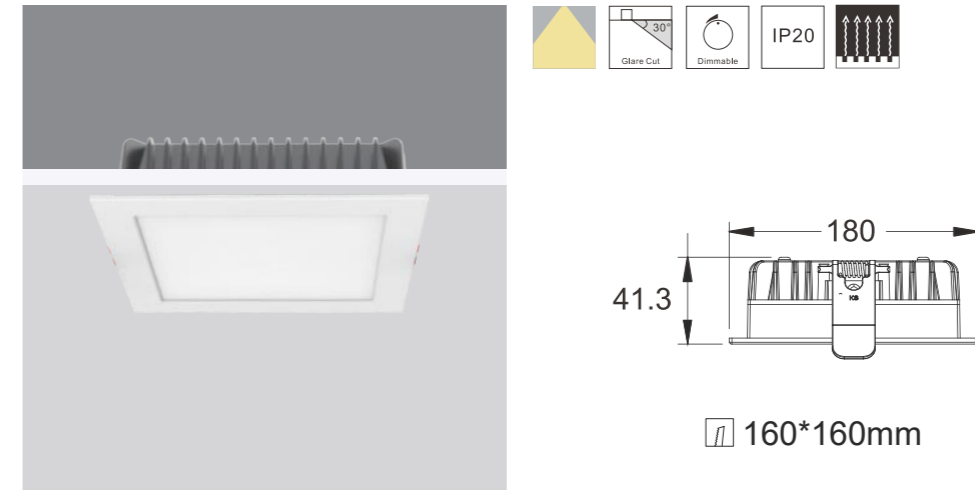
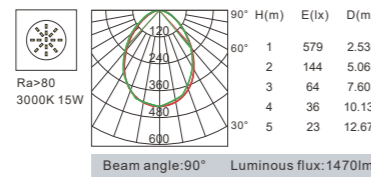
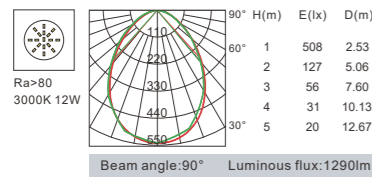
90*90mm

Model	Power	LED voltage	LED Current	CRI	CCT	Beam Angle	LED Output	System output	Dimming Type
KAS-DL16-A-307	7W	36V	150mA	90	2700K	90°	546lm	456lm	ON-OFF TRIAC 1-10V DALI
	7W	36V	150mA	90	3000K	90°	910lm	760lm	ON-OFF TRIAC 1-10V DALI
	7W	36V	150mA	90	4000K	90°	1137lm	949lm	ON-OFF TRIAC 1-10V DALI
KAS-DL16-A-309	9W	36V	200mA	90	2700K	90°	702lm	588lm	ON-OFF TRIAC 1-10V DALI
	9W	36V	200mA	90	3000K	90°	1170lm	981lm	ON-OFF TRIAC 1-10V DALI
	9W	36V	200mA	90	4000K	90°	1462lm	1225m	ON-OFF TRIAC 1-10V DALI
KAS-DL16-A-312	12W	36V	300mA	90	2700K	90°	936lm	711lm	ON-OFF TRIAC 1-10V DALI
	12W	36V	300mA	90	3000K	90°	1560lm	1186m	ON-OFF TRIAC 1-10V DALI
	12W	36V	300mA	90	4000K	90°	1950lm	1482lm	ON-OFF TRIAC 1-10V DALI



125*125mm

Model	Power	LED voltage	LED Current	CRI	CCT	Beam Angle	LED Output	System output	Dimming Type
KAS-DL16-A-412	12W	36V	300mA	90	2700K	90°	936lm	774lm	ON-OFF TRIAC 1-10V DALI
	12W	36V	300mA	90	3000K	90°	1560lm	1290lm	ON-OFF TRIAC 1-10V DALI
	12W	36V	300mA	90	4000K	90°	1950lm	1612lm	ON-OFF TRIAC 1-10V DALI
KAS-DL16-A-415	15W	36V	350mA	90	2700K	90°	1170lm	881lm	ON-OFF TRIAC 1-10V DALI
	15W	36V	350mA	90	3000K	90°	1951lm	1470lm	ON-OFF TRIAC 1-10V DALI
	15W	36V	350mA	90	4000K	90°	2437lm	1836lm	ON-OFF TRIAC 1-10V DALI



160*160mm

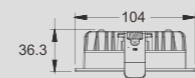
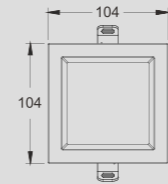
Model	Power	LED voltage	LED Current	CRI	CCT	Beam Angle	LED Output	System output	Dimming Type
KAS-DL16-A-615	15W	36V	350mA	90	2700K	90°	1170lm	907lm	ON-OFF TRIAC 1-10V DALI
	15W	36V	350mA	90	3000K	90°	1951lm	1513lm	ON-OFF TRIAC 1-10V DALI
	15W	36V	350mA	90	4000K	90°	2437lm	1889lm	ON-OFF TRIAC 1-10V DALI
KAS-DL16-A-620	20W	36V	500mA	90	2700K	90°	1556lm	1257lm	ON-OFF TRIAC 1-10V DALI
	20W	36V	500mA	90	3000K	90°	2593lm	2096lm	ON-OFF TRIAC 1-10V DALI
	20W	36V	500mA	90	4000K	90°	3241lm	2619lm	ON-OFF TRIAC 1-10V DALI
KAS-DL16-A-623	23W	36V	600mA	90	2700K	90°	1791lm	1519lm	ON-OFF TRIAC 1-10V DALI
	23W	36V	600mA	90	3000K	90°	2986lm	2533lm	ON-OFF TRIAC 1-10V DALI
	23W	36V	600mA	90	4000K	90°	3732lm	3165lm	ON-OFF TRIAC 1-10V DALI



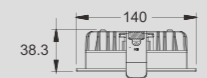
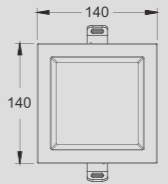
- LED SMD light source is adopted, RA > 90, light efficiency up to 120lm / W
- A variety of opening sizes are available to meet different needs
- The die-casting aluminum structure lamp body is adopted to effectively and quickly dissipate heat and ensure the normal life of the chip
- the high-quality acrylic light transmission panel is used to evenly scatter light, and the light transmittance is as high as 93%, effectively reducing light loss



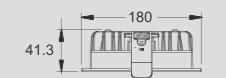
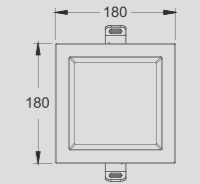
KAS-DL16-B-3
Power: 7W/9W/12W
Cutout: 90*90mm
Height:36.3mm



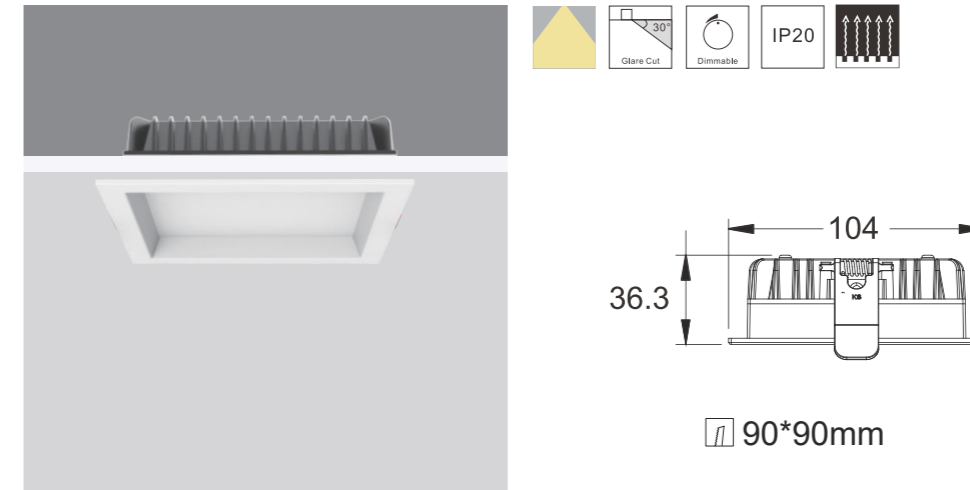
KAS-DL16-B-4
Power: 12W/15W
Cutout: 125*125mm
Height:38.3mm



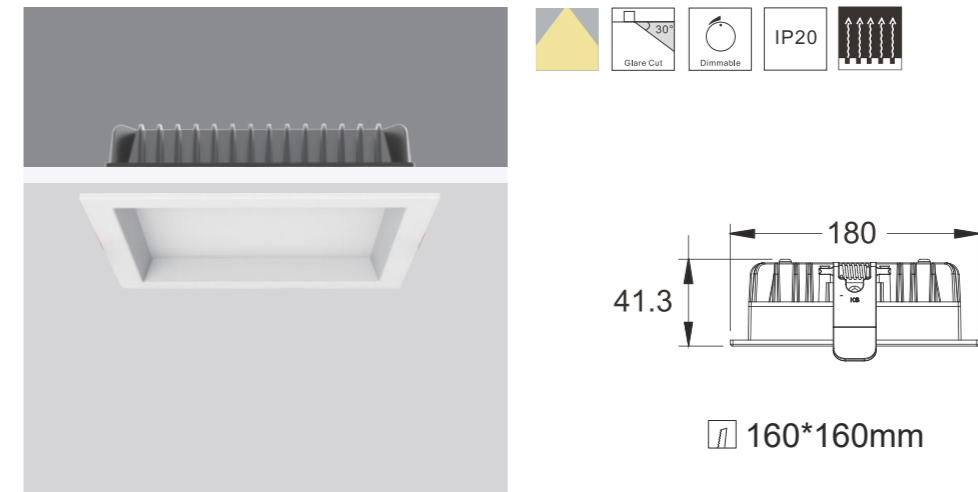
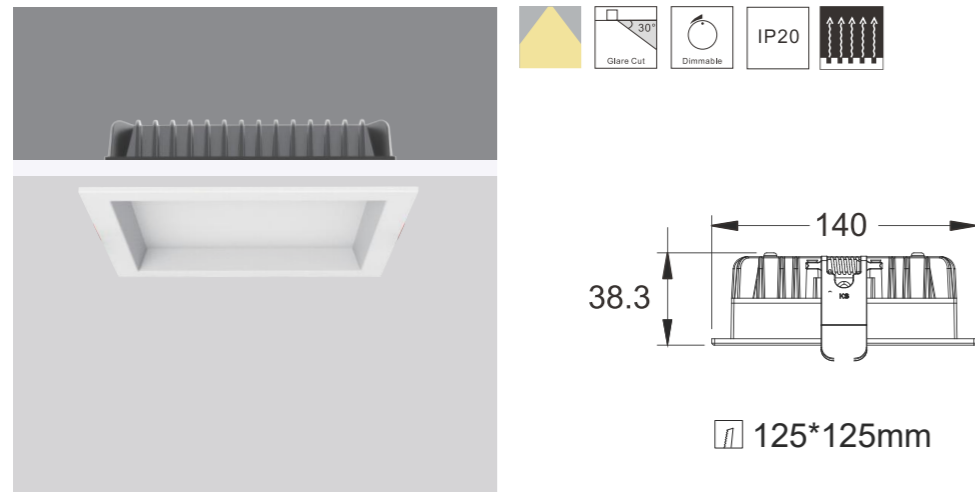
KAS-DL16-B-6
Power: 15W/20W/23W
Cutout: 160*160mm
Height:41.3mm



Model	KAS-DL16-B-3	KAS-DL16-B-4	KAS-DL16-B-6
Product Photo			
imention(mm)			
Cutout(mm)	90*90	125-125	160-160
Wattage	7W/9W/12W	12W/15W	15W/20W/23
CCT	2700K 3000K 3500K 4000K 5000K	2700K 3000K 3500K 4000K 5000K	2700K 3000K 3500K 4000K 5000K
CRI	>80	>80	>80
Beam Angle	90°	90°	90°
Lumen	810LM	1500-2000LM	2000-4000LM
IP	IP 20	IP 20	IP20
Dimming	TRIAC/1-10V/DALI	TRIAC/1-10V/DALI	TRIAC/1-10V/DALI
Colour	White+Iron gray	White+Iron gray	White+Iron gray



Model	Power	LED voltage	LED Current	CRI	CCT	Beam Angle	LED Output	System output	Dimming Type
KAS-DL16-B-307	7W	36V	150mA	90	2700K	90°	546lm	448lm	ON-OFF TRIAC 1-10V DALI
	7W	36V	150mA	90	3000K	90°	910lm	748lm	ON-OFF TRIAC 1-10V DALI
	7W	36V	150mA	90	4000K	90°	1137lm	934lm	ON-OFF TRIAC 1-10V DALI
KAS-DL16-B-309	9W	36V	250mA	90	2700K	90°	702lm	586lm	ON-OFF TRIAC 1-10V DALI
	9W	36V	250mA	90	3000K	90°	1170lm	978lm	ON-OFF TRIAC 1-10V DALI
	9W	36V	250mA	90	4000K	90°	1462lm	1222lm	ON-OFF TRIAC 1-10V DALI
KAS-DL16-B-312	12W	36V	300mA	90	2700K	90°	936lm	695lm	ON-OFF TRIAC 1-10V DALI
	12W	36V	300mA	90	3000K	90°	1560lm	1159lm	ON-OFF TRIAC 1-10V DALI
	12W	36V	300mA	90	4000K	90°	1950lm	1448lm	ON-OFF TRIAC 1-10V DALI



Model	Power	LED voltage	LED Current	CRI	CCT	Beam Angle	LED Output	System output	Dimming Type
KAS-DL16-B-412	12W	36V	300mA	90	2700K	90°	936lm	777lm	ON-OFF TRIAC 1-10V DALI
	12W	36V	300mA	90	3000K	90°	1560lm	1296lm	ON-OFF TRIAC 1-10V DALI
	12W	36V	300mA	90	4000K	90°	1950lm	1620lm	ON-OFF TRIAC 1-10V DALI
KAS-DL16-B-415	15W	36V	350mA	90	2700K	90°	1170lm	876lm	ON-OFF TRIAC 1-10V DALI
	15W	36V	350mA	90	3000K	90°	1951lm	1461lm	ON-OFF TRIAC 1-10V DALI
	15W	36V	350mA	90	4000K	90°	2437lm	1824lm	ON-OFF TRIAC 1-10V DALI

Model	Power	LED voltage	LED Current	CRI	CCT	Beam Angle	LED Output	System output	Dimming Type
KAS-DL16-B-615	15W	36V	350mA	90	2700K	90°	1170lm	886lm	ON-OFF TRIAC 1-10V DALI
	15W	36V	350mA	90	3000K	90°	1951lm	1478lm	ON-OFF TRIAC 1-10V DALI
	15W	36V	350mA	90	4000K	90°	2437lm	1846lm	ON-OFF TRIAC 1-10V DALI
KAS-DL16-B-620	20W	36V	500mA	90	2700K	90°	1556lm	1231lm	ON-OFF TRIAC 1-10V DALI
	20W	36V	500mA	90	3000K	90°	2593lm	2053lm	ON-OFF TRIAC 1-10V DALI
	20W	36V	500mA	90	4000K	90°	3241lm	2566lm	ON-OFF TRIAC 1-10V DALI
KAS-DL16-B-623	23W	36V	600mA	90	2700K	90°	1791lm	1503lm	ON-OFF TRIAC 1-10V DALI
	23W	36V	600mA	90	3000K	90°	2986lm	2506lm	ON-OFF TRIAC 1-10V DALI
	23W	36V	600mA	90	4000K	90°	3732m	3132lm	ON-OFF TRIAC 1-10V DALI

