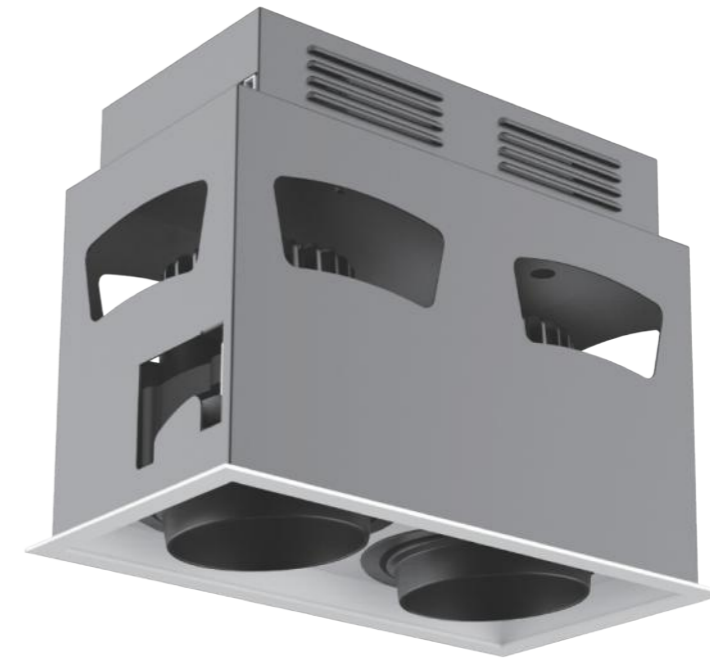


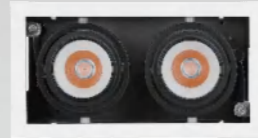
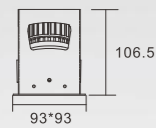
Multiple versions embrace the concept of innovation with a good performance, uniqueness, durability and versatility; highlighting the characteristics of Kam's grille light.



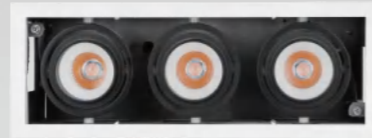
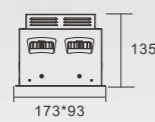
- By using a high quality and high efficiency led chip with Ra>90.
- The patented heat sink with "breath design" ensures ample heat dissipation.
- Twin ring rotary structure and adjustable fitting head to fulfill different projection.
- Anti-glare designed lamp body, shading angle $\geq 30^\circ$
- The installation clips protect the ceiling and offer a convenient and easy installation.



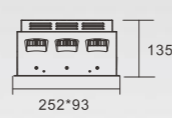
KAS-BL10R-1-3
Power: 10W
Cutout: 82*82mm
Height: 106.5mm



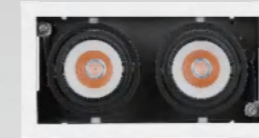
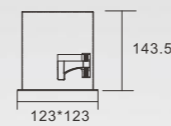
KAS-BL10R-2-3
Power: 20W
Cutout: 165*85mm
Height: 135mm



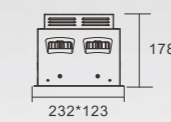
KAS-BL10R-3-3
Power: 30W
Cutout: 240*82mm
Height: 135mm



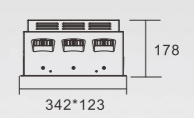
KAS-BL10R-1-4
Power: 15W/20W/30W
Cutout: 112*112mm
Height: 143.5mm



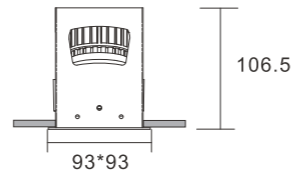
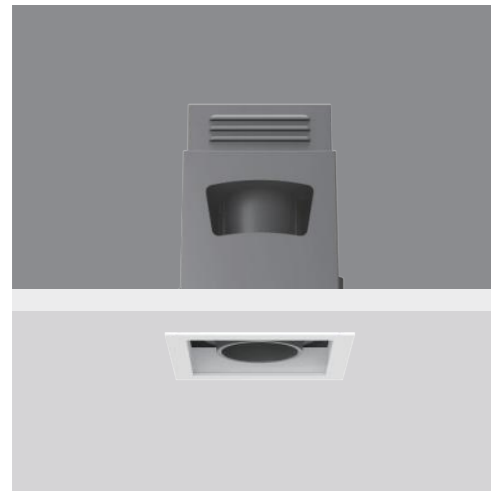
KAS-BL10R-2-4
Power: 30W/40W/60W
Cutout: 222*112mm
Height: 178mm



KAS-BL10R-3-4
Power: 45W/60W/90W
Cutout: 332*112mm
Height: 178mm

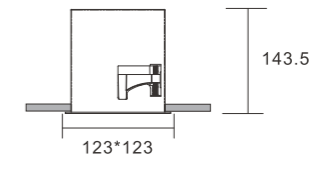
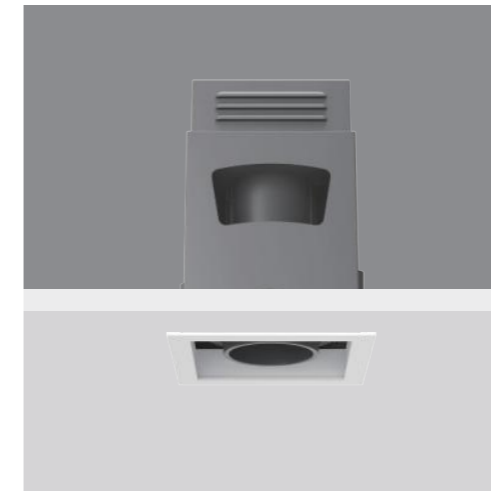
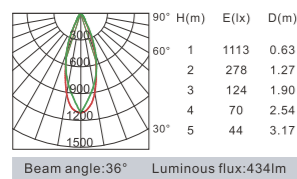
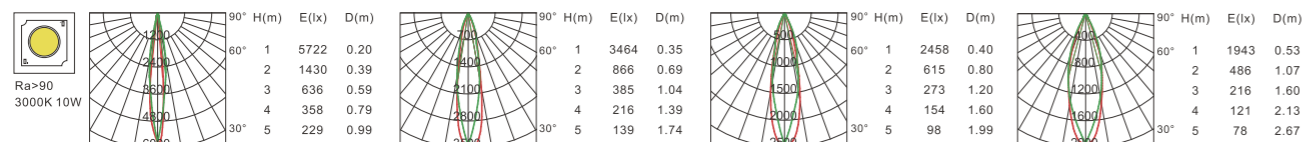


Model	KAS-BL10R-1-3	KAS-BL10R-1-4	KAS-BL10R-1-4	KAS-BL10R-2-3	KAS-BL10R-2-4		KAS-BL10R-2-4	KAS-BL10R-3-3	KAS-BL10R-3-4	KAS-BL10R-3-4
Product Photo										
Dimension(mm)										
Cutout(mm)	82*82	112*112	112*112	165*85	222*112		222*112	240*82	332*112	332*112
Wattage	10W	15W/20W	30W	20W	30W/40W		60W	30W	45W/60W	90W
CCT	2700K 3000K 3500K 4000K 5000K	2700K 3000K 3500K 4000K 5000K	2700K 3000K 3500K 4000K 5000K	2700K 3000K 3500K 4000K 5000K	2700K 3000K 3500K 4000K 5000K		2700K 3000K 3500K 4000K 5000K	2700K 3000K 3500K 4000K 5000K	2700K 3000K 3500K 4000K 5000K	2700K 3000K 3500K 4000K 5000K
CRI	>90	>90	>90	>90	>90		>90	>90	>90	>90
Beam Angle	10°/15°/24°/30°/36°	15°/24°/30°/36°/60°	15°/20°/30°/36°/45°	10°/15°/24°/30°/36°	15°/24°/30°/36°/60°		15°/20°/30°/36°/45°	10°/15°/24°/30°/36°	15°/24°/30°/36°/60°	15°/20°/30°/36°/60°
Lumen	600LM	900-1200LM	1950LM	1200LM	1800-2400LM		3600LM	1800LM	2700-3600LM	5400LM
IP	IP 20	IP 20	IP 20	IP 20	IP 20		IP 20	IP 20	IP 20	IP 20
Dimming	TRIAC/1-10V/DALI	TRIAC/1-10V/DALI	TRIAC/1-10V/DALI	TRIAC/1-10V/DALI	TRIAC/1-10V/DALI		TRIAC/1-10V/DALI	TRIAC/1-10V/DALI	TRIAC/1-10V/DALI	TRIAC/1-10V/DALI
Colour	White+Iron gray	White+Iron gray	White+Iron gray	White+Iron gray	White+Iron gray		White+Iron gray	White+Iron gray	White+Iron gray	White+Iron gray



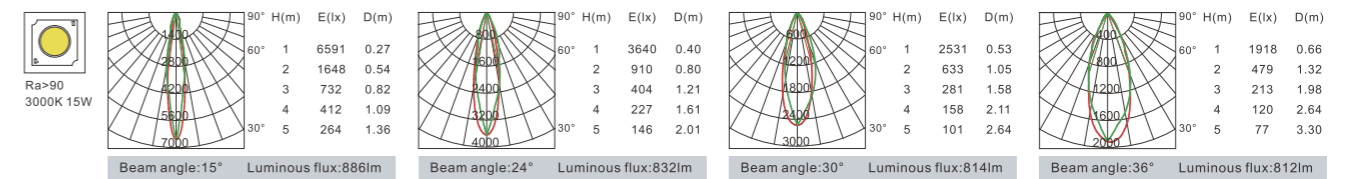
82*82mm

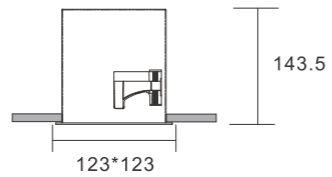
Model	Power	LED voltage	LED Current	CRI	CCT	Beam Angle	LED Output	System output	Dimming Type
KAS-BL10R-1-310	10W	34V	250mA	90	2700K	10°	965lm	386lm	ON-OFF TRIAC 1-10V DALI
						15°	965lm	549lm	
						24°	965lm	497lm	
						30°	965lm	548lm	
						36°	965lm	412lm	
	10W	34V	250mA	90	3000K	10°	1015lm	407lm	ON-OFF TRIAC 1-10V DALI
						15°	1015lm	579lm	
						24°	1015lm	523lm	
						30°	1015lm	577lm	
	10W	34V	250mA	90	4000K	10°	1077lm	431lm	ON-OFF TRIAC 1-10V DALI
						15°	1077lm	614lm	
						24°	1077lm	554lm	
						30°	1077lm	612lm	
						36°	1077lm	460lm	



112*112mm

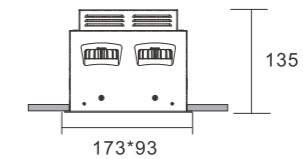
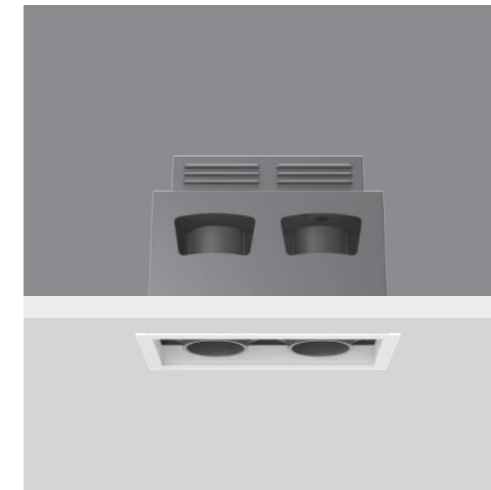
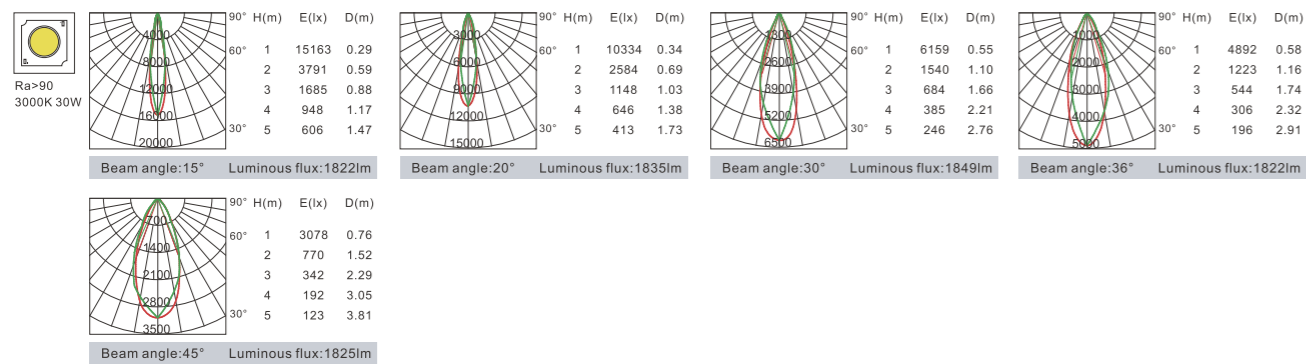
Model	Power	LED voltage	LED Current	CRI	CCT	Beam Angle	LED Output	System output	Dimming Type
KAS-BL10R-1-415	15W	34V	350mA	90	2700K	15°	1314lm	841lm	ON-OFF TRIAC 1-10V DALI
						24°	1314lm	790lm	
						30°	1314lm	773lm	
						36°	1314lm	771lm	
						60°	1314lm	786lm	
	15W	34V	350mA	90	3000K	15°	1383lm	886lm	ON-OFF TRIAC 1-10V DALI
						24°	1383lm	832lm	
						30°	1383lm	814lm	
						36°	1383lm	812lm	
	15W	34V	350mA	90	4000K	15°	1467lm	942lm	ON-OFF TRIAC 1-10V DALI
						24°	1467lm	882lm	
						30°	1467lm	863lm	
						36°	1467lm	861lm	
						60°	1467lm	828lm	
KAS-BL10R-1-420	20W	34V	500mA	90	2700K	15°	1877lm	1133lm	ON-OFF TRIAC 1-10V DALI
						24°	1877lm	1038lm	
						30°	1877lm	1010lm	
						36°	1877lm	1072lm	
						60°	1877lm	1079lm	
	20W	34V	500mA	90	3000K	15°	1975lm	1193lm	ON-OFF TRIAC 1-10V DALI
						24°	1975lm	1092lm	
						30°	1975lm	1063lm	
						36°	1975lm	1128lm	
	20W	34V	500mA	90	4000K	15°	2095lm	1265lm	ON-OFF TRIAC 1-10V DALI
						24°	2095lm	1158lm	
						30°	2095lm	1127lm	
						36°	2095lm	1196lm	
						60°	2095lm	1205lm	





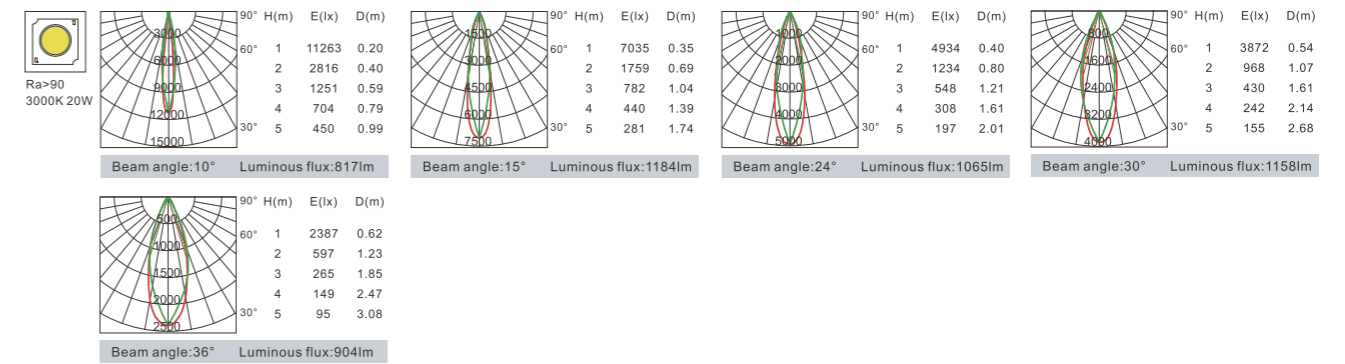
112*112mm

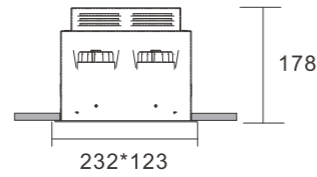
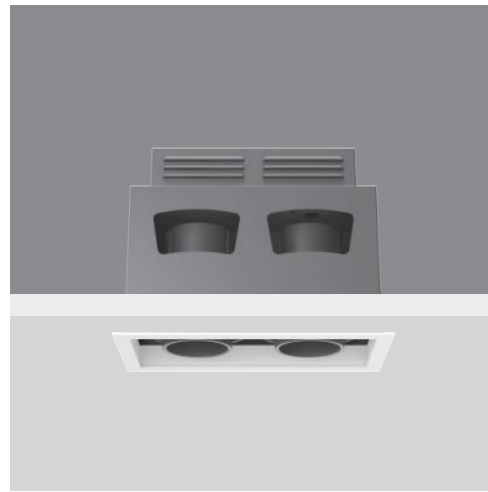
Model	Power	LED voltage	LED Current	CRI	CCT	Beam Angle	LED Output	System output	Dimming Type
KAS-BL10R-1-430	30W	34V	800mA	90	2700K	15°	2737lm	1733lm	ON-OFF TRIAC 1-10V DALI
						20°	2737lm	1746lm	
						30°	2737lm	1759lm	
						36°	2737lm	1733lm	
						45°	2737lm	1736lm	
30W	34V	800mA	90	3000K	15°	2876lm	1822lm	ON-OFF TRIAC 1-10V DALI	
					20°	2876lm	1835lm		
					30°	2876lm	1849lm		
					36°	2876lm	1822lm		
					45°	2876lm	1825lm		
30W	34V	800mA	90	4000K	15°	3052lm	1933lm	ON-OFF TRIAC 1-10V DALI	
					20°	3052lm	1947lm		
					30°	3052lm	1962lm		
					36°	3052lm	1933lm		
					45°	3052lm	1936lm		



165*85mm

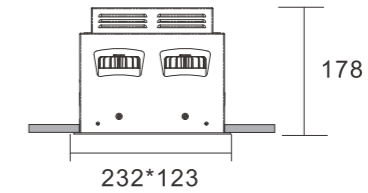
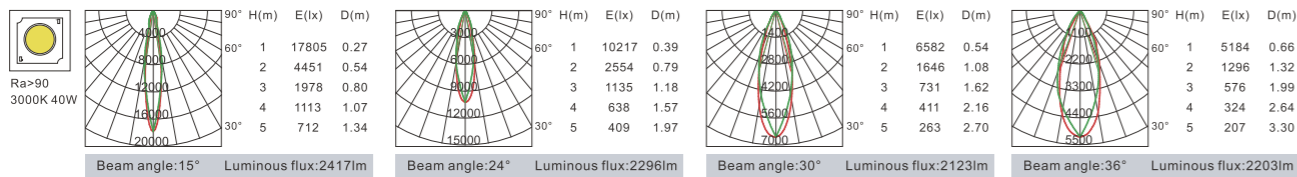
Model	Power	LED voltage	LED Current	CRI	CCT	Beam Angle	LED Output	System output	Dimming Type
KAS-BL10R-2-320	20W	34V	2*250mA	90	2700K	10°	1930lm	776lm	ON-OFF TRIAC 1-10V DALI
						15°	1930lm	1125lm	
						24°	1930lm	1012lm	
						30°	1930lm	1100lm	
						36°	1930lm	859lm	
20W	34V	2*250mA	90	3000K	10°	2030lm	817lm	ON-OFF TRIAC 1-10V DALI	
					15°	2030lm	1184lm		
					24°	2030lm	1065lm		
					30°	2030lm	1158lm		
					36°	2030lm	904lm		
20W	34V	2*250mA	90	4000K	10°	2154lm	866lm	ON-OFF TRIAC 1-10V DALI	
					15°	2154lm	1256lm		
					24°	2154lm	1130lm		
					30°	2154lm	1228lm		
					36°	2154lm	959lm		





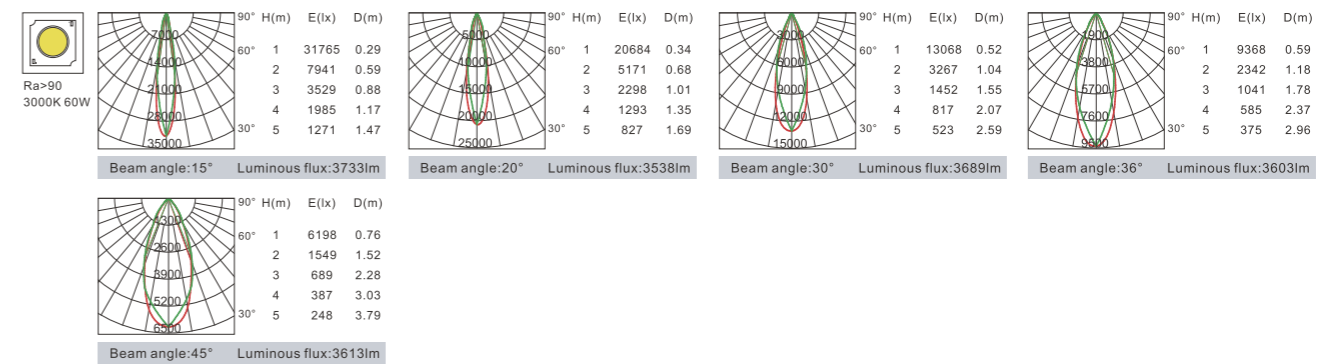
222*112mm

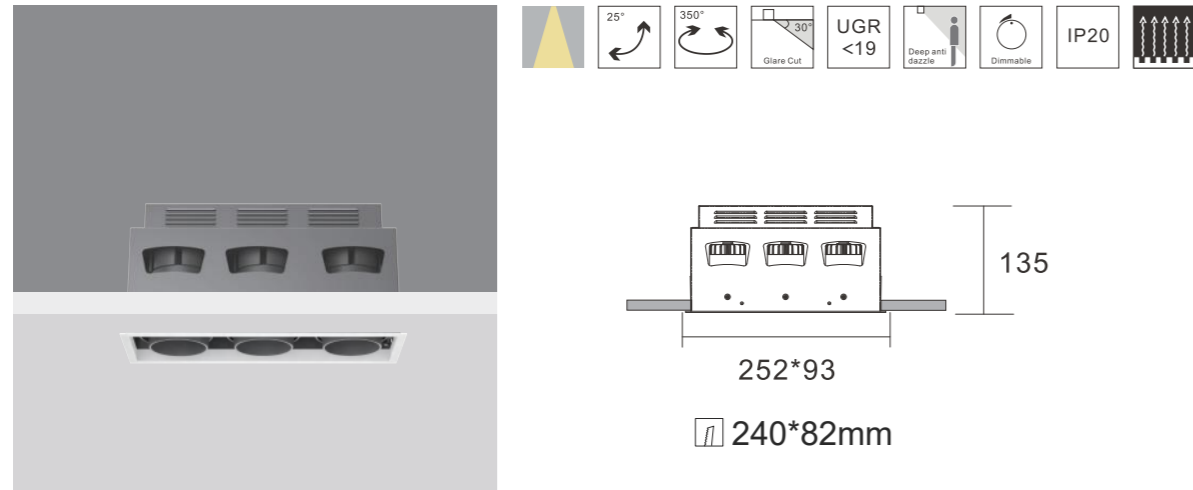
Model	Power	LED voltage	LED Current	CRI	CCT	Beam Angle	LED Output	System output	Dimming Type
KAS-BL10R-2-430	30W	34V	2*350mA	90	2700K	15°	2628lm	1694lm	ON-OFF TRIAC 1-10V DALI
						24°	2628lm	1616lm	
						30°	2628lm	1510lm	
						36°	2628lm	1516lm	
						60°	2628lm	1551lm	
	30W	34V	2*350mA	90	3000K	15°	2766lm	1783lm	ON-OFF TRIAC 1-10V DALI
						24°	2766lm	1701lm	
						30°	2766lm	1590lm	
						36°	2766lm	1596lm	
						60°	2766lm	1633lm	
	30W	34V	2*350mA	90	4000K	15°	2934lm	1891lm	ON-OFF TRIAC 1-10V DALI
						24°	2934lm	1806lm	
30°						2934lm	1685lm		
36°						2934lm	1692lm		
60°						2934lm	1733lm		
KAS-BL10R-2-440	40W	34V	2*500mA	90	2700K	15°	3754lm	2297lm	ON-OFF TRIAC 1-10V DALI
						24°	3754lm	2182lm	
						30°	3754lm	2017lm	
						36°	3754lm	2093lm	
						60°	3754lm	2122lm	
	40W	34V	2*500mA	90	3000K	15°	3950lm	2417lm	ON-OFF TRIAC 1-10V DALI
						24°	3950lm	2296lm	
						30°	3950lm	2123lm	
						36°	3950lm	2203lm	
						60°	3950lm	2233lm	
	40W	34V	2*500mA	90	4000K	15°	4190lm	2563lm	ON-OFF TRIAC 1-10V DALI
						24°	4190lm	2435lm	
30°						4190lm	2251lm		
36°						4190lm	2314lm		
60°						4190lm	2368lm		



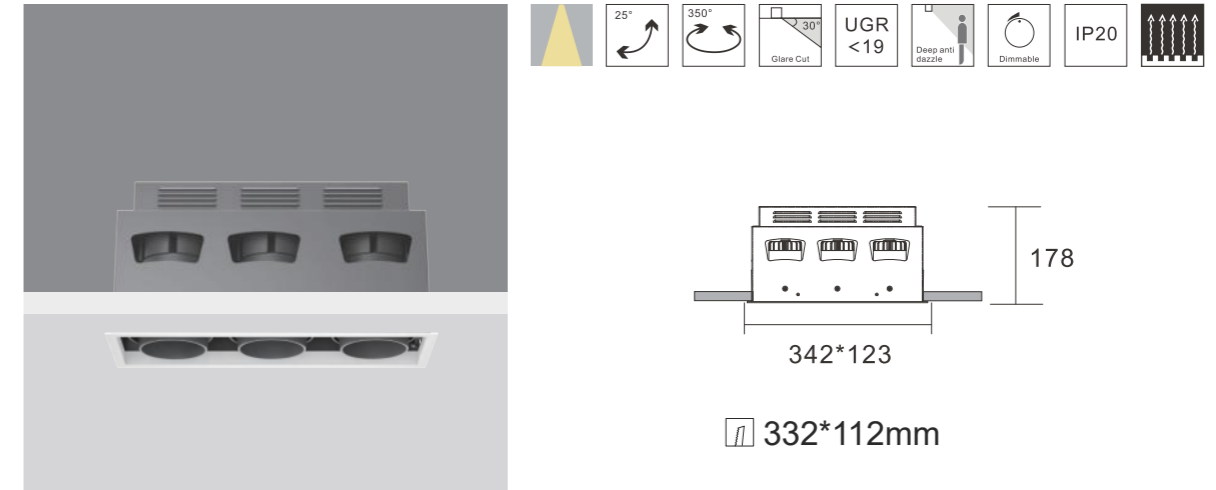
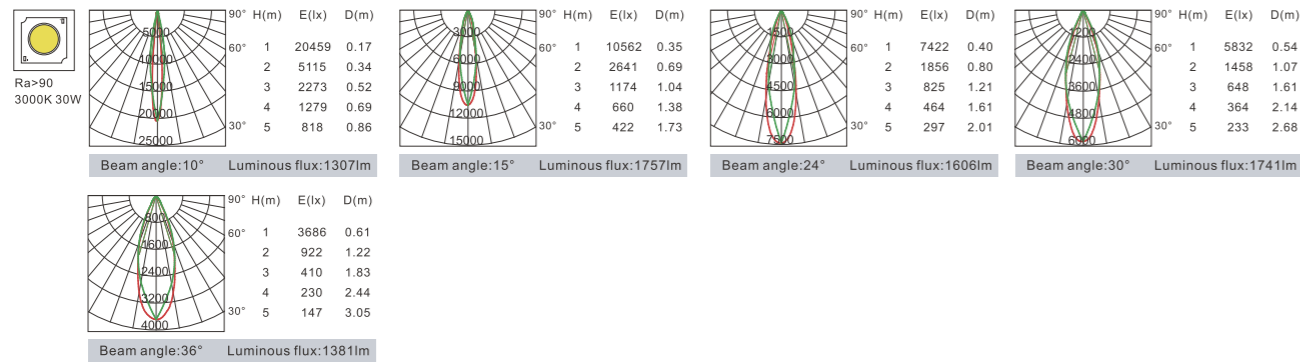
222*112mm

Model	Power	LED voltage	LED Current	CRI	CCT	Beam Angle	LED Output	System output	Dimming Type
KAS-BL10R-2-460	60W	34V	2*700MA	90	2700K	15°	5474lm	3552lm	ON-OFF TRIAC 1-10V DALI
						20°	5474lm	3367lm	
						30°	5474lm	3507lm	
						36°	5474lm	3428lm	
						45°	5474lm	3438lm	
	60W	34V	2*700MA	90	3000K	15°	5752lm	3733lm	ON-OFF TRIAC 1-10V DALI
						20°	5752lm	3538lm	
						30°	5752lm	3689lm	
						36°	5752lm	3603lm	
						45°	5752lm	3613lm	
	60W	34V	2*700MA	90	4000K	15°	6104lm	3961lm	ON-OFF TRIAC 1-10V DALI
						20°	6104lm	3754lm	
30°						6104lm	3914lm		
36°						6104lm	3823lm		
45°						6104lm	3834lm		





Model	Power	LED voltage	LED Current	CRI	CCT	Beam Angle	LED Output	System output	Dimming Type
KAS-BL10R-3-330	30W	34V	3*250mA	90	2700K	10°	2895lm	1242lm	ON-OFF TRIAC 1-10V DALI
						15°	2895lm	1670lm	
						24°	2895lm	1526lm	
						30°	2895lm	1655lm	
						36°	2895lm	1312lm	
30W	34V	3*250mA	90	3000K	10°	3045lm	1307lm	ON-OFF TRIAC 1-10V DALI	
					15°	3045lm	1757lm		
					24°	3045lm	1606lm		
					30°	3045lm	1741lm		
					36°	3045lm	1381lm		
30W	34V	3*250mA	90	4000K	10°	3231lm	1386lm	ON-OFF TRIAC 1-10V DALI	
					15°	3231lm	1864lm		
					24°	3231lm	1704lm		
					30°	3231lm	1847lm		
					36°	3231lm	1465lm		



Model	Power	LED voltage	LED Current	CRI	CCT	Beam Angle	LED Output	System output	Dimming Type
KAS-BL10R-3-445	45W	34V	3*350mA	90	2700K	15°	3942lm	2518lm	ON-OFF TRIAC 1-10V DALI
						24°	3942lm	2444lm	
						30°	3942lm	2384lm	
						36°	3942lm	2325lm	
						60°	3942lm	2394lm	
45W	34V	3*350mA	90	3000K	15°	4149lm	2651lm	ON-OFF TRIAC 1-10V DALI	
					24°	4149lm	2573lm		
					30°	4149lm	2510lm		
					36°	4149lm	2448lm		
					60°	4149lm	2520lm		
45W	34V	3*350mA	90	4000K	15°	4401lm	2815lm	ON-OFF TRIAC 1-10V DALI	
					24°	4401lm	2729lm		
					30°	4401lm	2662lm		
					36°	4401lm	2596lm		
					60°	4401lm	2673lm		
KAS-BL10R-3-460	60W	34V	3*500mA	90	2700K	15°	5631lm	3551lm	ON-OFF TRIAC 1-10V DALI
						24°	5631lm	3225lm	
						30°	5631lm	3224lm	
						36°	5631lm	3196lm	
						60°	5631lm	3219lm	
60W	34V	3*500mA	90	3000K	15°	5925lm	3737lm	ON-OFF TRIAC 1-10V DALI	
					24°	5925lm	3394lm		
					30°	5925lm	3393lm		
					36°	5925lm	3363lm		
					60°	5925lm	3388lm		
60W	34V	3*500mA	90	4000K	15°	6285lm	3964lm	ON-OFF TRIAC 1-10V DALI	
					24°	6285lm	3600lm		
					30°	6285lm	3599lm		
					36°	6285lm	3567lm		
					60°	6285lm	3593lm		

