

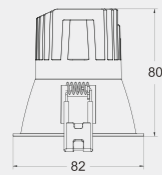


CL37 Series Downlight

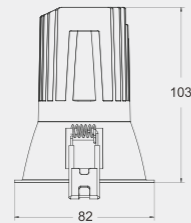
The lamp body adopt aluminum material, high heat dissipation, corrosion resistant and durable. Various type of ceiling lights: Square, round, square-oblique, round-oblique. With lens optics, the light effect is higher and the spot is more evenly. The front ring using high-quality pc make the whole lamp more lighter. The products apply to home, shopping malls, hotels, stores and clubs.



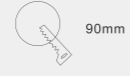
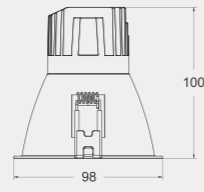
K-CL37-3F-R2G
 Power: 5W/8W
 Cutout: 75mm
 Height: 80mm



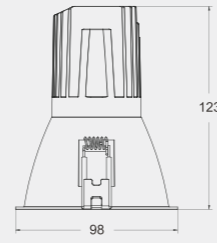
K-CL37-3F-R2G
 Power: 10W/12W/15W
 Cutout: 75mm
 Height: 103mm



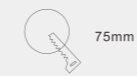
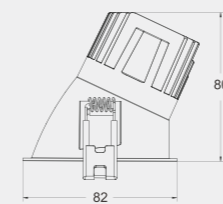
K-CL37-35F-R2G
 Power: 5W/8W
 Cutout: 90mm
 Height: 100mm



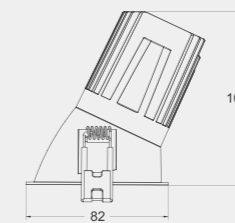
K-CL37-35F-R2G
 Power: 10W/12W/15W
 Cutout: 90mm
 Height: 123mm



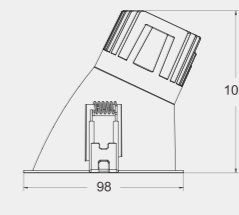
K-CL37-3W-R2G
 Power: 5W/8W
 Cutout: 75mm
 Height: 80mm



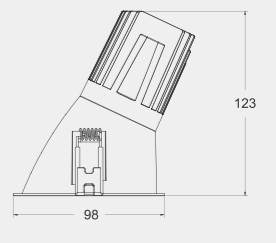
K-CL37-3W-R2G
 Power: 10W/12W/15W
 Cutout: 75mm
 Height: 103mm



K-CL37-35W-R2G
 Power: 5W/8W
 Cutout: 90mm
 Height: 100mm

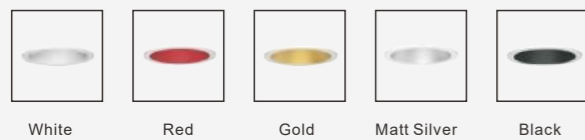


K-CL37-35W-R2G
 Power: 10W/12W/15W
 Cutout: 90mm
 Height: 123mm

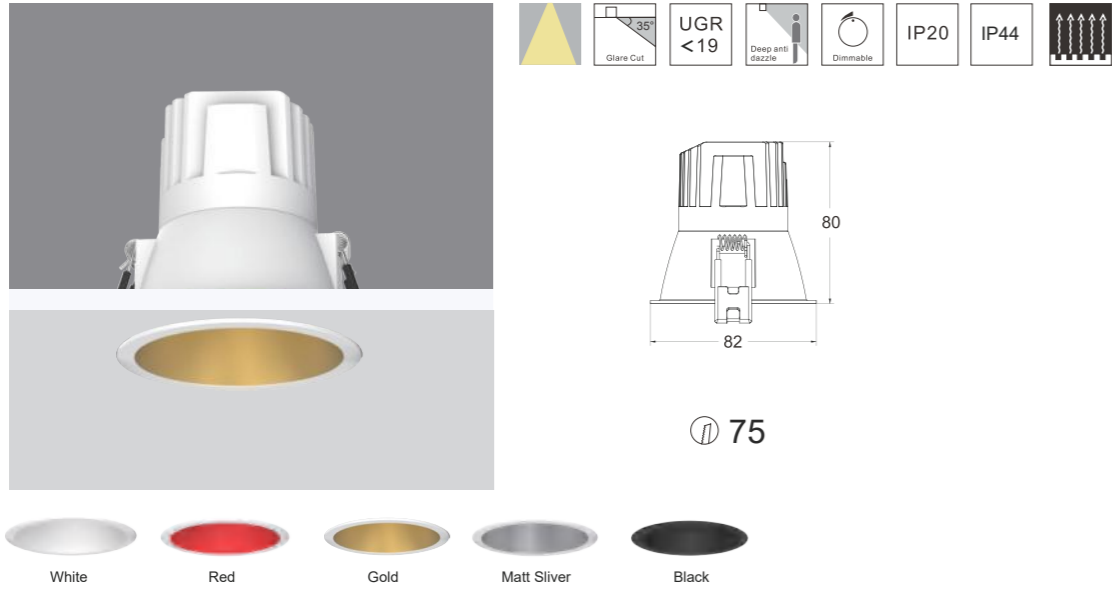


Model	K-CL37-305F-R2G	K-CL37-310F-R2G	K-CL37-3505F-R2G	K-CL37-3510F-R2G		K-CL37-305W-R2G	K-CL37-310W-R2G	K-CL37-3505W-R2G	K-CL37-3510W-R2G
Product Photo									
Dimension(mm)									
Cutout(mm)	75	75	90	90		75	75	90	90
Wattage	5W/8W	10W/12W/15W	5W/8W	10W/12W/15W		5W/8W	10W/12W/15W	5W/8W	10W/12W/15W
CCT	2700K 3000K 3500K 4000K	2700K 3000K 3500K 4000K	2700K 3000K 3500K 4000K	2700K 3000K 3500K 4000K		2700K 3000K 3500K 4000K	2700K 3000K 3500K 4000K	2700K 3000K 3500K 4000K	2700K 3000K 3500K 4000K
CRI	>90	>90	>90	>90		>90	>90	>90	>90
Beam Angle	28°/38°/55°	28°/38°/55°	28°/38°/55°	28°/38°/55°		28°/38°/55°	28°/38°/55°	28°/38°/55°	28°/38°/55°
Lumen	776LM	1076LM	776LM	1076LM		776LM	1076LM	776LM	1076LM
IP	IP44/IP20	IP44/IP20	IP44/IP20	IP44/IP20		IP44/IP20	IP44/IP20	IP44/IP20	IP44/IP20
Dimming	TRIAC/1-10V/DALI	TRIAC/1-10V/DALI	TRIAC/1-10V/DALI	TRIAC/1-10V/DALI		TRIAC/1-10V/DALI	TRIAC/1-10V/DALI	TRIAC/1-10V/DALI	TRIAC/1-10V/DALI
Reflector Colour	Matt Silver black Gold White Red	Matt Silver black Gold White Red	Matt Silver black Gold White Red	Matt Silver black Gold White Red		Matt Silver black Gold White Red	Matt Silver black Gold White Red	Matt Silver black Gold White Red	Matt Silver black Gold White Red
Colour	White/black	White/black	White/black	White/black		White/black	White/black	White/black	White/black

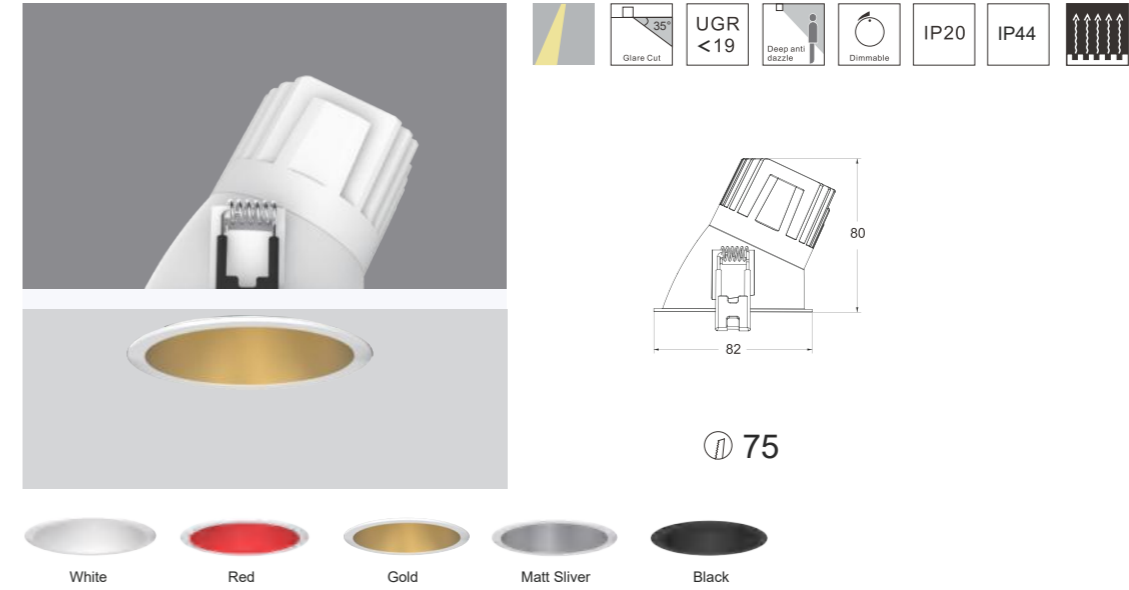
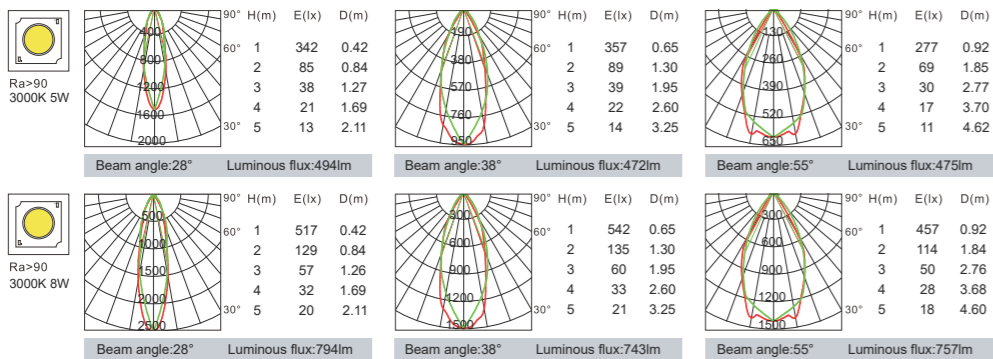
Reflecting Accessories



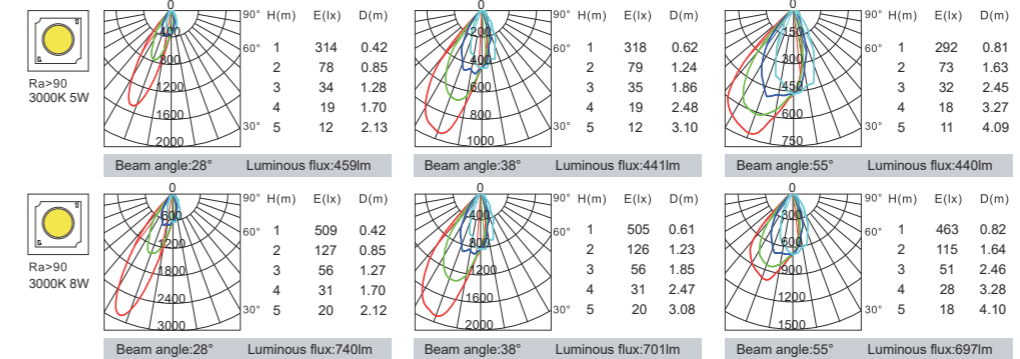
White Red Gold Matt Silver Black

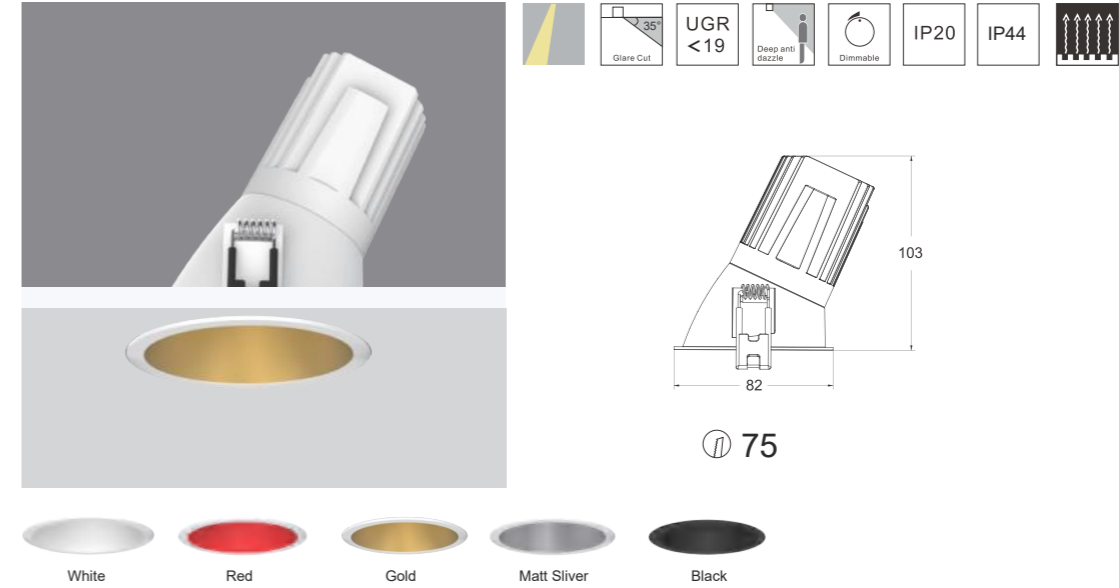
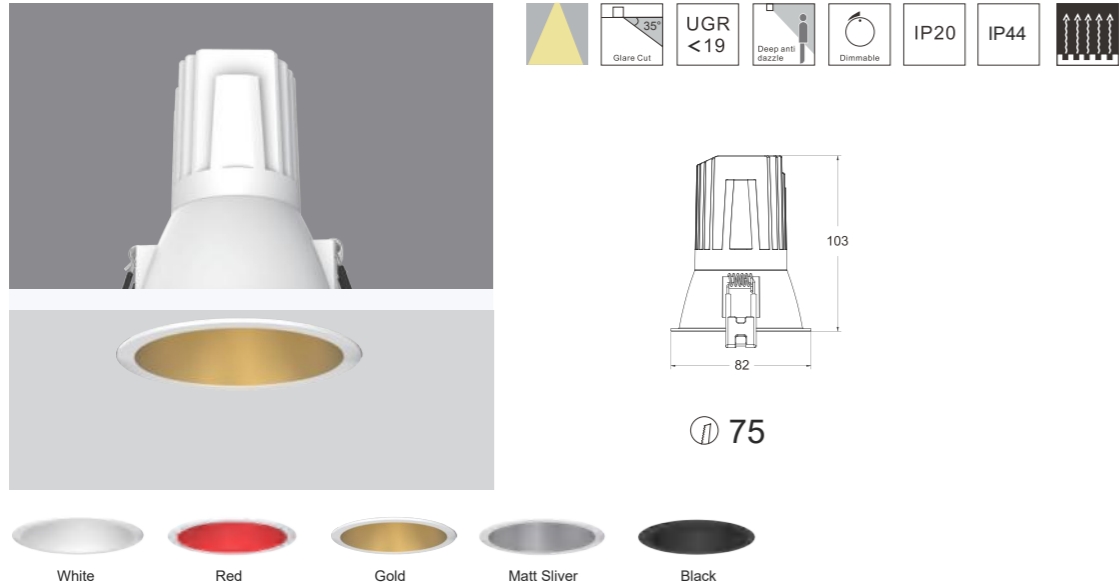


Model	Power	LED voltage	LED Current	CRI	CCT	Beam Angle	LED Output	System output	Dimming Type
K-CL37-305F-R2G	5W	34V	120mA	90	2700K	28°	710lm	470lm	ON-OFF TRIAC
						38°	710lm	449lm	1-10V
						55°	710lm	452lm	DALI
	5W	34V	120mA	90	3000K	28°	746lm	494lm	ON-OFF TRIAC
						38°	746lm	472lm	1-10V
						55°	746lm	475lm	DALI
	5W	34V	120mA	90	4000K	28°	798lm	528lm	ON-OFF TRIAC
						38°	798lm	504lm	1-10V
						55°	798lm	508lm	DALI
K-CL37-308F-R2G	8W	34V	200mA	90	2700K	28°	852lm	755lm	ON-OFF TRIAC
						38°	852lm	707lm	1-10V
						55°	852lm	720lm	DALI
	8W	34V	200mA	90	3000K	28°	895lm	794lm	ON-OFF TRIAC
						38°	895lm	743lm	1-10V
						55°	895lm	757lm	DALI
	8W	34V	200mA	90	4000K	28°	957lm	849lm	ON-OFF TRIAC
						38°	957lm	794lm	1-10V
						55°	957lm	809lm	DALI



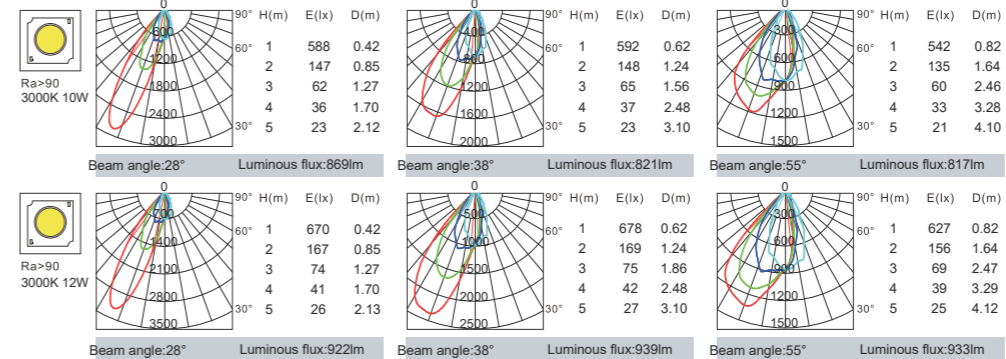
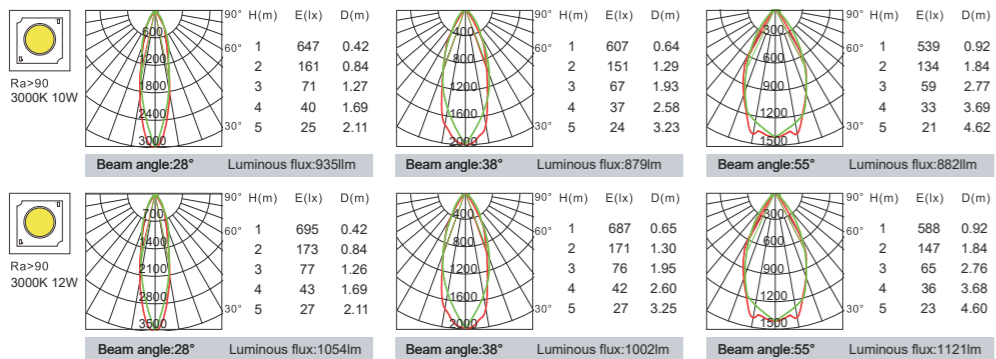
Model	Power	LED voltage	LED Current	CRI	CCT	Beam Angle	LED Output	System output	Dimming Type
K-CL37-305W-R2G	5W	34V	120mA	90	2700K	28°	710lm	436lm	ON-OFF TRIAC
						38°	710lm	419lm	1-10V
						55°	710lm	418lm	DALI
	5W	34V	120mA	90	3000K	28°	746lm	459lm	ON-OFF TRIAC
						38°	746lm	441lm	1-10V
						55°	746lm	440lm	DALI
	5W	34V	120mA	90	4000K	28°	798lm	487lm	ON-OFF TRIAC
						38°	798lm	468lm	1-10V
						55°	798lm	467lm	DALI
K-CL37-308W-R2G	8W	34V	200mA	90	2700K	28°	852lm	704lm	ON-OFF TRIAC
						38°	852lm	667lm	1-10V
						55°	852lm	663lm	DALI
	8W	34V	200mA	90	3000K	28°	895lm	740lm	ON-OFF TRIAC
						38°	895lm	701lm	1-10V
						55°	895lm	697lm	DALI
	8W	34V	200mA	90	4000K	28°	957lm	785lm	ON-OFF TRIAC
						38°	957lm	744lm	1-10V
						55°	957lm	739lm	DALI



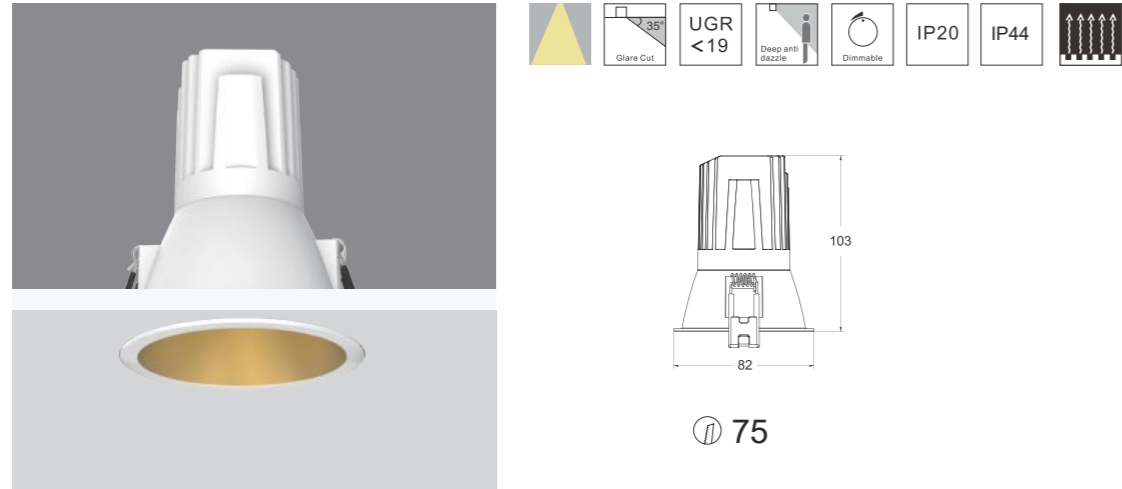


Model	Power	LED voltage	LED Current	CRI	CCT	Beam Angle	LED Output	System output	Dimming Type
K-CL37-310F-R2G	10W	34V	250mA	90	2700K	28°	965lm	888lm	ON-OFF TRIAC
						38°	965lm	835lm	1-10V
						55°	965lm	927lm	DALI
	10W	34V	250mA	90	3000K	28°	1015lm	935lm	ON-OFF TRIAC
						38°	1015lm	879lm	1-10V
						55°	1015lm	882lm	DALI
	10W	34V	250mA	90	4000K	28°	1077lm	992lm	ON-OFF TRIAC
						38°	1077lm	932lm	1-10V
						55°	1077lm	935lm	DALI
K-CL37-312F-R2G	12W	34V	300mA	90	2700K	28°	1159lm	1002lm	ON-OFF TRIAC
						38°	1159lm	953lm	1-10V
						55°	1159lm	1004lm	DALI
	12W	34V	300mA	90	3000K	28°	1218lm	1054lm	ON-OFF TRIAC
						38°	1218lm	1002lm	1-10V
						55°	1218lm	1056lm	DALI
	12W	34V	300mA	90	4000K	28°	1293lm	1118lm	ON-OFF TRIAC
						38°	1293lm	1063lm	1-10V
						55°	1293lm	1121lm	DALI

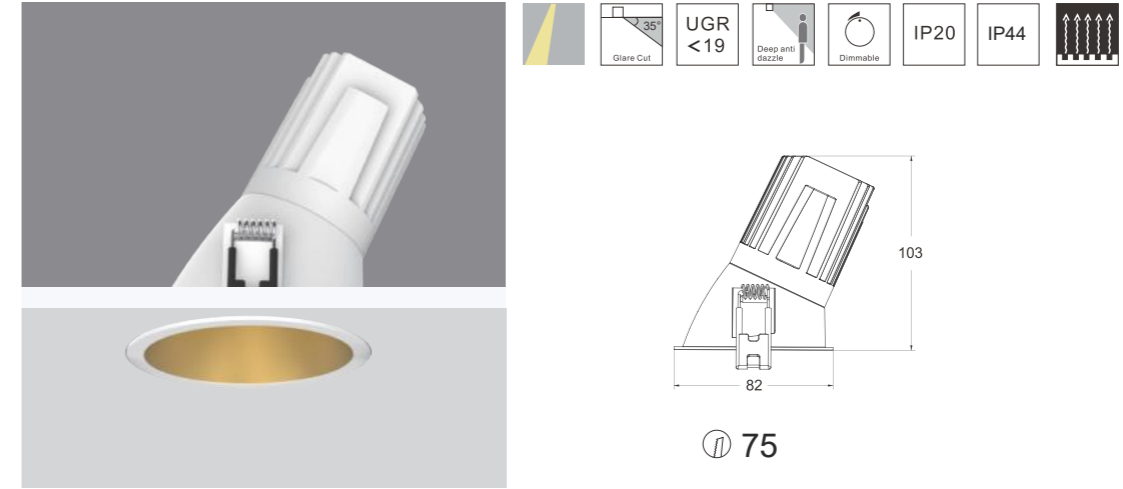
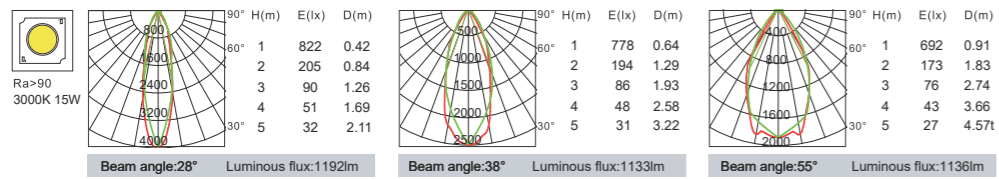
Model	Power	LED voltage	LED Current	CRI	CCT	Beam Angle	LED Output	System output	Dimming Type
K-CL37-310W-R2G	10W	34V	250mA	90	2700K	28°	965lm	826lm	ON-OFF TRIAC
						38°	965lm	780lm	1-10V
						55°	965lm	776lm	DALI
	10W	34V	250mA	90	3000K	28°	1015lm	869lm	ON-OFF TRIAC
						38°	1015lm	821lm	1-10V
						55°	1015lm	817lm	DALI
	10W	34V	250mA	90	4000K	28°	1077lm	922lm	ON-OFF TRIAC
						38°	1077lm	871lm	1-10V
						55°	1077lm	866lm	DALI
K-CL37-312W-R2G	12W	34V	300mA	90	2700K	28°	1159lm	877lm	ON-OFF TRIAC
						38°	1159lm	893lm	1-10V
						55°	1159lm	887lm	DALI
	12W	34V	300mA	90	3000K	28°	1218lm	922lm	ON-OFF TRIAC
						38°	1218lm	939lm	1-10V
						55°	1218lm	933lm	DALI
	12W	34V	300mA	90	4000K	28°	1293lm	978lm	ON-OFF TRIAC
						38°	1293lm	996lm	1-10V
						55°	1293lm	990lm	DALI



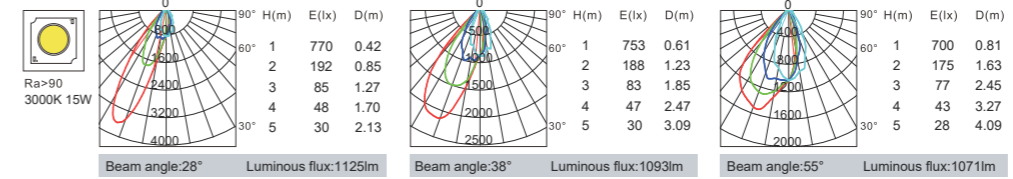
CL37 Series

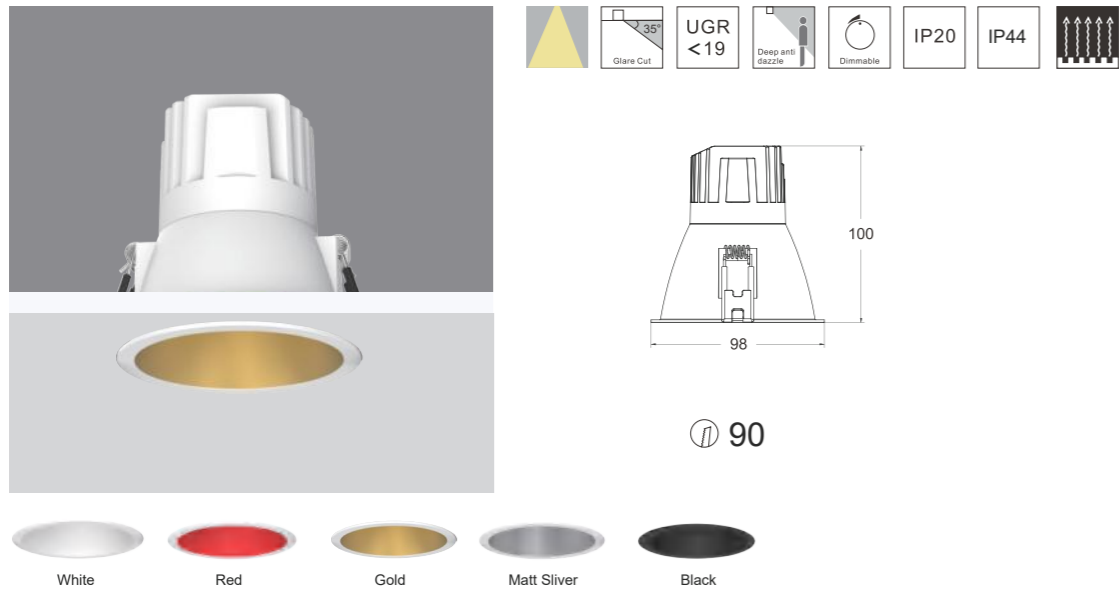


Model	Power	LED voltage	LED Current	CRI	CCT	Beam Angle	LED Output	System output	Dimming Type
K-CL37-315F-R2G	15W	34V	350mA	90	2700K	28°	1314lm	1132lm	ON-OFF TRIAC
						38°	1314lm	1076lm	1-10V DALI
						55°	1314lm	1079lm	DALI
	15W	34V	350mA	90	3000K	28°	1383lm	1192lm	ON-OFF TRIAC
						38°	1383lm	1133lm	1-10V DALI
						55°	1383lm	1136lm	DALI
	15W	34V	350mA	90	4000K	28°	1467lm	1123lm	ON-OFF TRIAC
						38°	1467lm	1201lm	1-10V DALI
						55°	1467lm	1204lm	DALI

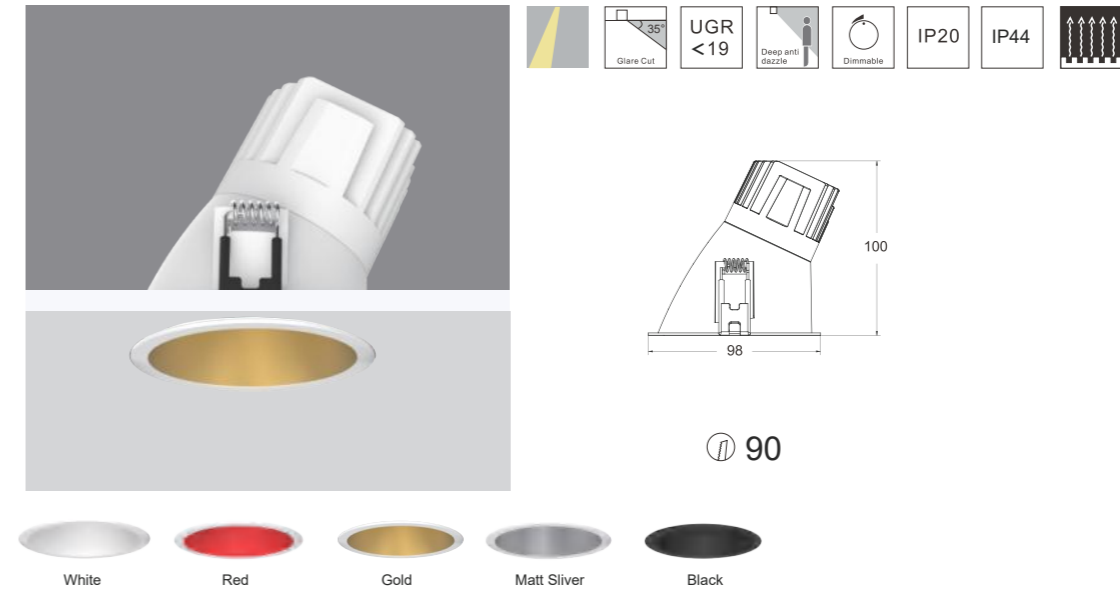
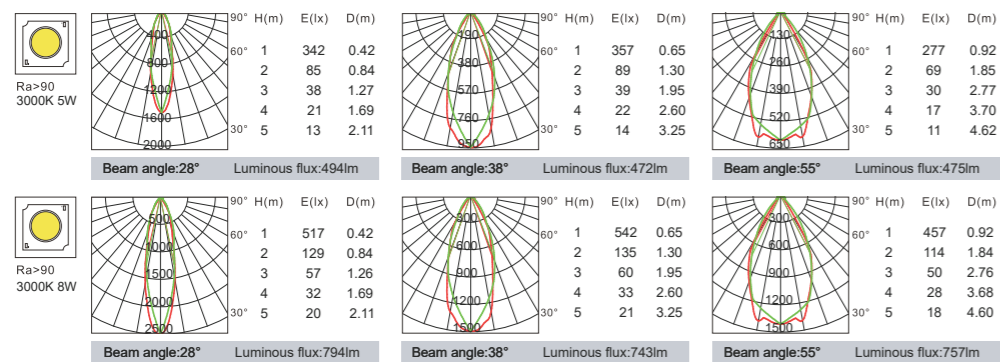


Model	Power	LED voltage	LED Current	CRI	CCT	Beam Angle	LED Output	System output	Dimming Type
K-CL37-315W-R2G	15W	34V	350mA	90	2700K	28°	1314lm	1068lm	ON-OFF TRIAC
						38°	1314lm	1038lm	1-10V DALI
						55°	1314lm	1017lm	DALI
	15W	34V	350mA	90	3000K	28°	1383lm	1125lm	ON-OFF TRIAC
						38°	1383lm	1093lm	1-10V DALI
						55°	1383lm	1071lm	DALI
	15W	34V	350mA	90	4000K	28°	1467lm	1193lm	ON-OFF TRIAC
						38°	1467lm	1159lm	1-10V DALI
						55°	1467lm	1136lm	DALI

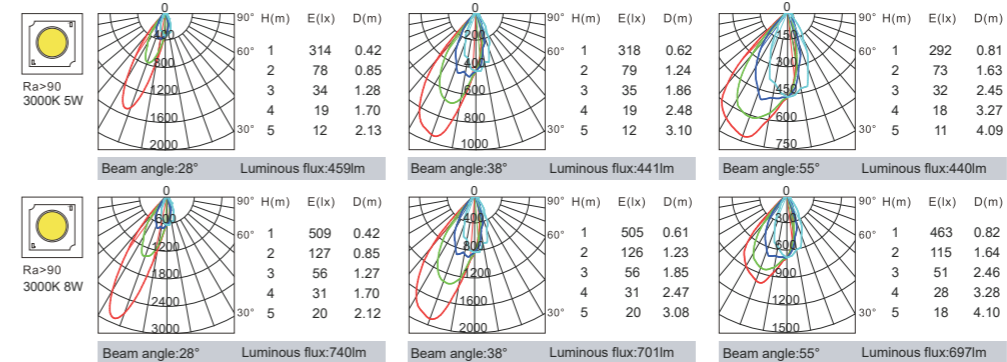


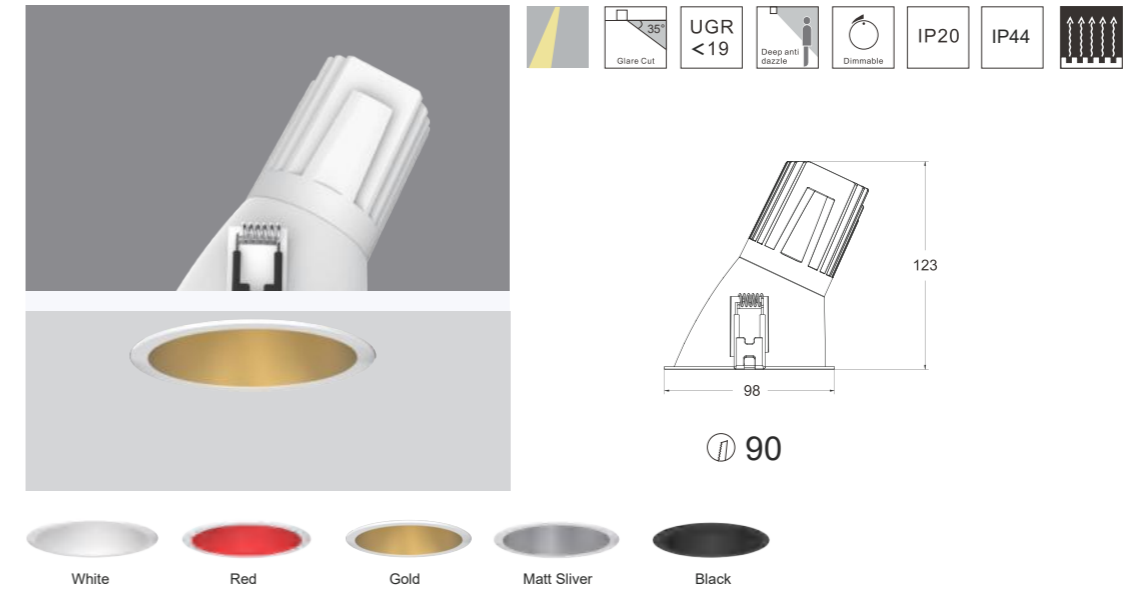
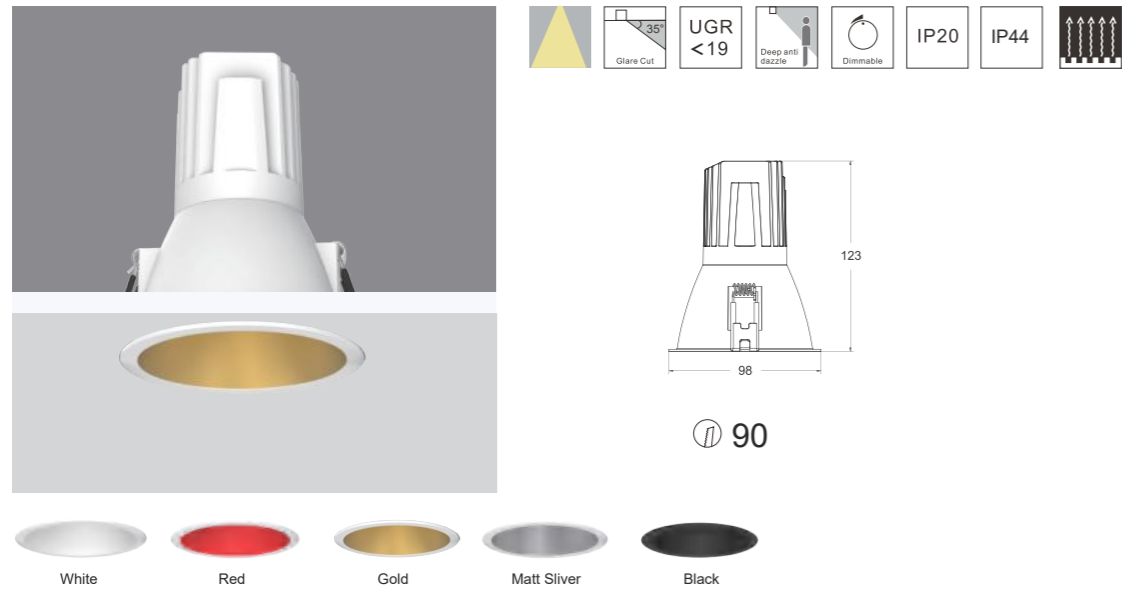


Model	Power	LED voltage	LED Current	CRI	CCT	Beam Angle	LED Output	System output	Dimming Type
K-CL37-3505F-R2G	5W	34V	120mA	90	2700K	28°	710lm	470lm	ON-OFF TRIAC
						38°	710lm	449lm	1-10V
						55°	710lm	452lm	DALI
	5W	34V	120mA	90	3000K	28°	746lm	494lm	ON-OFF TRIAC
						38°	746lm	472lm	1-10V
						55°	746lm	475lm	DALI
	5W	34V	120mA	90	4000K	28°	798lm	528lm	ON-OFF TRIAC
						38°	798lm	504lm	1-10V
						55°	798lm	508lm	DALI
K-CL37-3508F-R2G	8W	34V	200mA	90	2700K	28°	852lm	755lm	ON-OFF TRIAC
						38°	852lm	707lm	1-10V
						55°	852lm	720lm	DALI
	8W	34V	200mA	90	3000K	28°	895lm	794lm	ON-OFF TRIAC
						38°	895lm	743lm	1-10V
						55°	895lm	757lm	DALI
	8W	34V	200mA	90	4000K	28°	957lm	849lm	ON-OFF TRIAC
						38°	957lm	794lm	1-10V
						55°	957lm	809lm	DALI



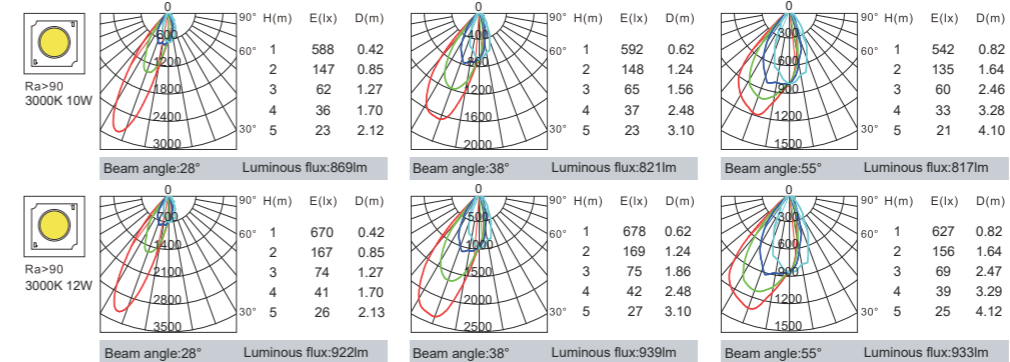
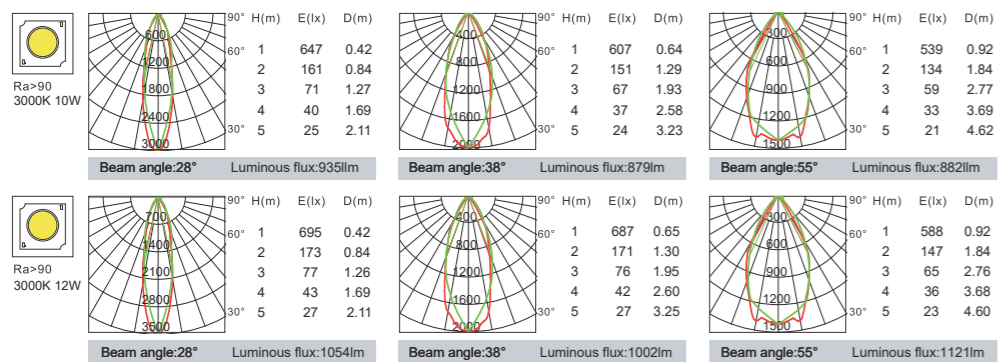
Model	Power	LED voltage	LED Current	CRI	CCT	Beam Angle	LED Output	System output	Dimming Type
K-CL37-3505W-R2G	5W	34V	120mA	90	2700K	28°	710lm	436lm	ON-OFF TRIAC
						38°	710lm	419lm	1-10V
						55°	710lm	418lm	DALI
	5W	34V	120mA	90	3000K	28°	746lm	459lm	ON-OFF TRIAC
						38°	746lm	441lm	1-10V
						55°	746lm	440lm	DALI
	5W	34V	120mA	90	4000K	28°	798lm	487lm	ON-OFF TRIAC
						38°	798lm	468lm	1-10V
						55°	798lm	467lm	DALI
K-CL37-3508W-R2G	8W	34V	200mA	90	2700K	28°	852lm	704lm	ON-OFF TRIAC
						38°	852lm	667lm	1-10V
						55°	852lm	663lm	DALI
	8W	34V	200mA	90	3000K	28°	895lm	740lm	ON-OFF TRIAC
						38°	895lm	701lm	1-10V
						55°	895lm	697lm	DALI
	8W	34V	200mA	90	4000K	28°	957lm	785lm	ON-OFF TRIAC
						38°	957lm	744lm	1-10V
						55°	957lm	739lm	DALI

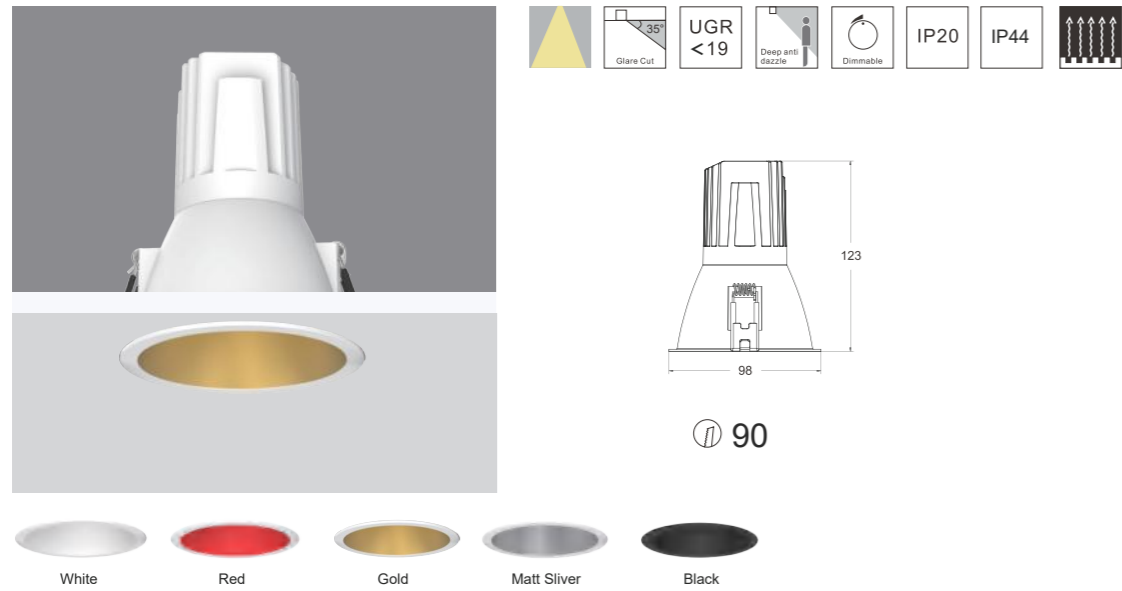




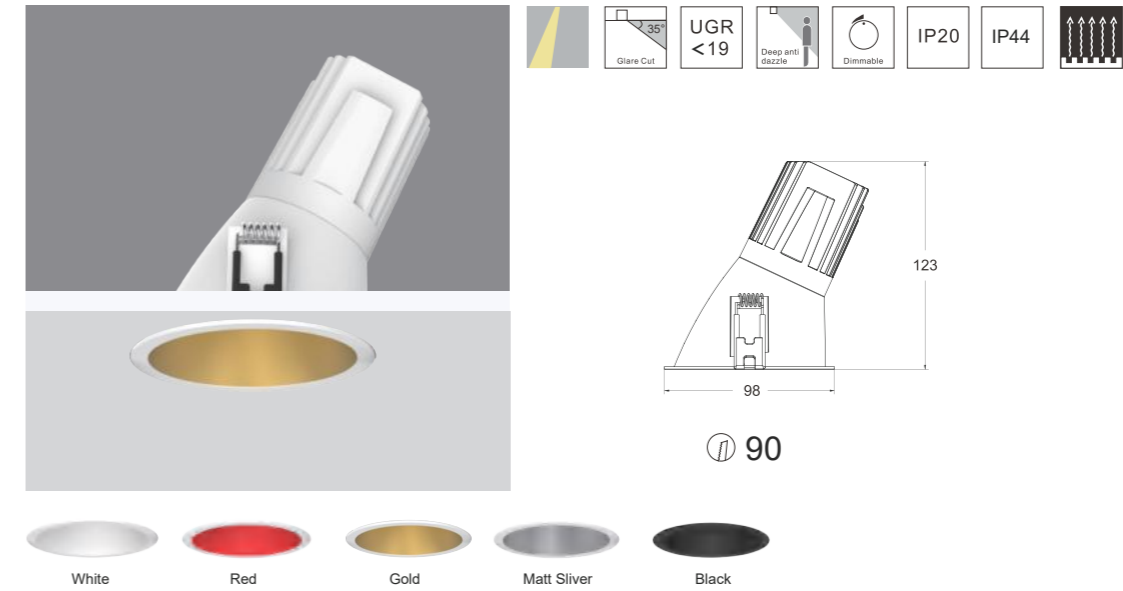
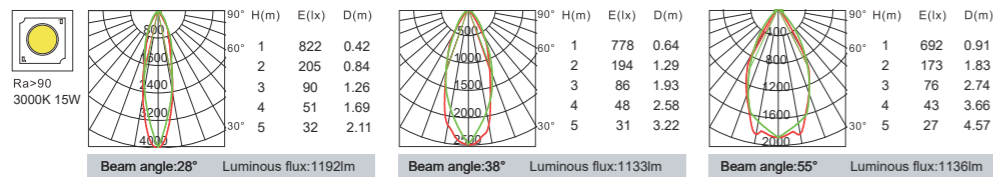
Model	Power	LED voltage	LED Current	CRI	CCT	Beam Angle	LED Output	System output	Dimming Type
K-CL37-3510F-R2G	10W	34V	250mA	90	2700K	28°	965lm	888lm	ON-OFF TRIAC
						38°	965lm	835lm	1-10V
						55°	965lm	927lm	DALI
	10W	34V	250mA	90	3000K	28°	1015lm	935lm	ON-OFF TRIAC
						38°	1015lm	879lm	1-10V
						55°	1015lm	882lm	DALI
	10W	34V	250mA	90	4000K	28°	1077lm	992lm	ON-OFF TRIAC
						38°	1077lm	932lm	1-10V
						55°	1077lm	935lm	DALI
K-CL37-3512F-R2G	12W	34V	300mA	90	2700K	28°	1159lm	1002lm	ON-OFF TRIAC
						38°	1159lm	953lm	1-10V
						55°	1159lm	1004lm	DALI
	12W	34V	300mA	90	3000K	28°	1218lm	1054lm	ON-OFF TRIAC
						38°	1218lm	1002lm	1-10V
						55°	1218lm	1056lm	DALI
	12W	34V	300mA	90	4000K	28°	1293lm	1118lm	ON-OFF TRIAC
						38°	1293lm	1063lm	1-10V
						55°	1293lm	1121lm	DALI

Model	Power	LED voltage	LED Current	CRI	CCT	Beam Angle	LED Output	System output	Dimming Type
K-CL37-3510W-R2G	10W	34V	250mA	90	2700K	28°	965lm	826lm	ON-OFF TRIAC
						38°	965lm	780lm	1-10V
						55°	965lm	776lm	DALI
	10W	34V	250mA	90	3000K	28°	1015lm	869lm	ON-OFF TRIAC
						38°	1015lm	821lm	1-10V
						55°	1015lm	817lm	DALI
	10W	34V	250mA	90	4000K	28°	1077lm	922lm	ON-OFF TRIAC
						38°	1077lm	871lm	1-10V
						55°	1077lm	866lm	DALI
K-CL37-3512W-R2G	12W	34V	300mA	90	2700K	28°	1159lm	877lm	ON-OFF TRIAC
						38°	1159lm	893lm	1-10V
						55°	1159lm	887lm	DALI
	12W	34V	300mA	90	3000K	28°	1218lm	922lm	ON-OFF TRIAC
						38°	1218lm	939lm	1-10V
						55°	1218lm	933lm	DALI
	12W	34V	300mA	90	4000K	28°	1293lm	978lm	ON-OFF TRIAC
						38°	1293lm	996lm	1-10V
						55°	1293lm	990lm	DALI

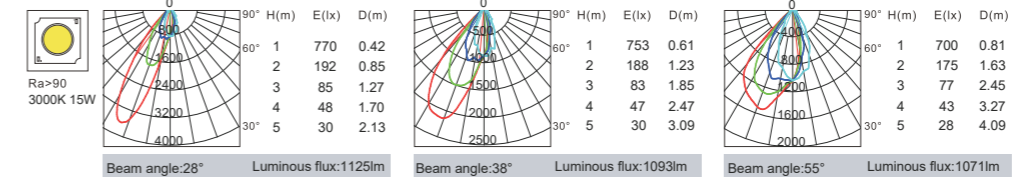




Model	Power	LED voltage	LED Current	CRI	CCT	Beam Angle	LED Output	System output	Dimming Type
K-CL37-3515F-R2G	15W	34V	350mA	90	2700K	28°	1314lm	1068lm	ON-OFF TRIAC
						38°	1314lm	1038lm	1-10V DALI
						55°	1314lm	1017lm	DALI
	15W	34V	350mA	90	3000K	28°	1383lm	1125lm	ON-OFF TRIAC
						38°	1383lm	1093lm	1-10V DALI
						55°	1383lm	1071lm	DALI
	15W	34V	350mA	90	4000K	28°	1467lm	1193lm	ON-OFF TRIAC
						38°	1467lm	1159lm	1-10V DALI
						55°	1467lm	1136lm	DALI

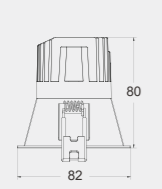


Model	Power	LED voltage	LED Current	CRI	CCT	Beam Angle	LED Output	System output	Dimming Type
K-CL37-3515W-R2G	15W	34V	350mA	90	2700K	28°	1314lm	1068lm	ON-OFF TRIAC
						38°	1314lm	1038lm	1-10V DALI
						55°	1314lm	1017lm	DALI
	15W	34V	350mA	90	3000K	28°	1383lm	1125lm	ON-OFF TRIAC
						38°	1383lm	1093lm	1-10V DALI
						55°	1383lm	1071lm	DALI
	15W	34V	350mA	90	4000K	28°	1467lm	1193lm	ON-OFF TRIAC
						38°	1467lm	1159lm	1-10V DALI
						55°	1467lm	1136lm	DALI

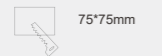
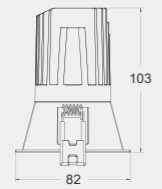




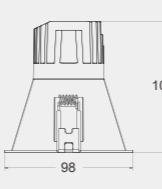
K-CL37-305F-S2G
 Power:5W/8W
 Cutout: 75*75mm
 Height: 80mm



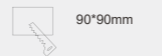
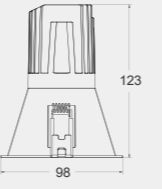
K-CL37-310F-S2G
 Power:10W/12W/15W
 Cutout: 75*75mm
 Height: 103mm



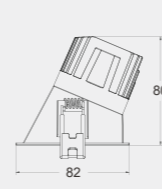
K-CL37-3505F-S2G
 Power:5W/8W
 Cutout: 90*90mm
 Height: 100mm



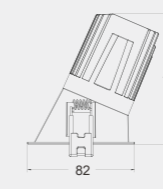
K-CL37-3510F-S2G
 Power:10W/12W/15W
 Cutout: 90*90mm
 Height: 123mm



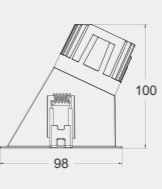
K-CL37-305W-S2G
 Power:5W/8W
 Cutout: 75*75mm
 Height: 80mm



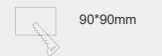
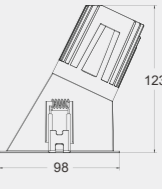
K-CL37-310W-S2G
 Power:10W/12W/15W
 Cutout: 75*75mm
 Height: 103mm



K-CL37-3505W-S2G
 Power:5W/8W
 Cutout: 90*90mm
 Height: 100mm



K-CL37-3510W-S2G
 Power:10W/12W/15W
 Cutout: 90*90mm
 Height: 123mm

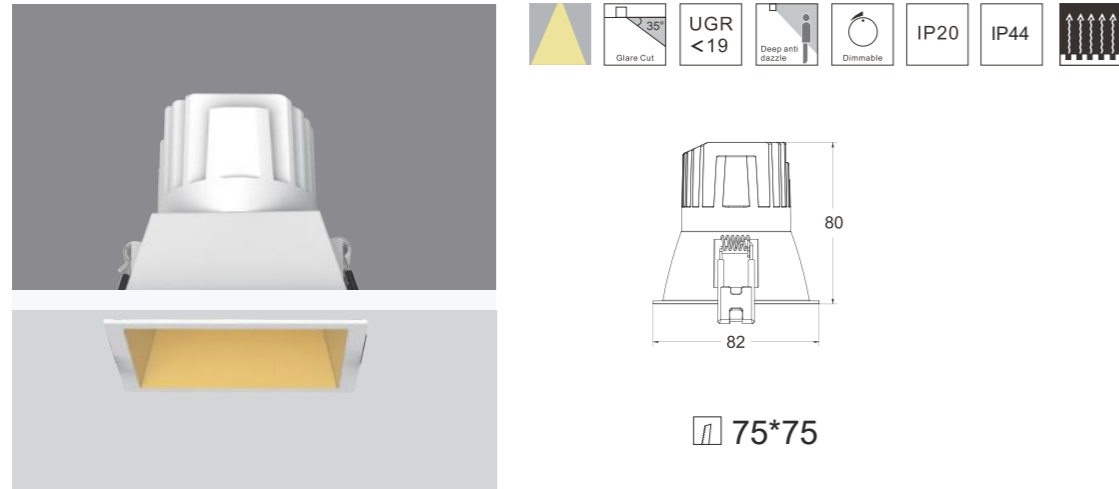


Model	K-CL37-305F-S2G	K-CL37-310F-S2G	K-CL37-3505F-S2G	K-CL37-3510F-S2G		K-CL37-305W-S2G	K-CL37-310W-S2G	K-CL37-3505W-S2G	K-CL37-3510W-S2G
Product Photo									
Dimension(mm)									
Cutout(mm)	75*75	75*75	90*90	90*90		75*75	75*75	90*90	90*90
Wattage	5W/8W	10W/12W/15W	5W/8W	10W/12W/15W		5W/8W	10W/12W/15W	5W/8W	10W/12W/15W
CCT	2700K 3000K 3500K 4000K	2700K 3000K 3500K 4000K	2700K 3000K 3500K 4000K	2700K 3000K 3500K 4000K		2700K 3000K 3500K 4000K	2700K 3000K 3500K 4000K	2700K 3000K 3500K 4000K	2700K 3000K 3500K 4000K
CRI	>90	>90	>90	>90		>90	>90	>90	>90
Beam Angle	28°/38°/55°	28°/38°/55°	28°/38°/55°	28°/38°/55°		28°/38°/55°	28°/38°/55°	28°/38°/55°	28°/38°/55°
Lumen	776LM	1076LM	776LM	1076LM		776LM	1076LM	776LM	1076LM
IP	IP44/IP20	IP44/IP20	IP44/IP20	IP44/IP20		IP44/IP20	IP44/IP20	IP44/IP20	IP44/IP20
Dimming	TRIAC/1-10V/DALI	TRIAC/1-10V/DALI	TRIAC/1-10V/DALI	TRIAC/1-10V/DALI		TRIAC/1-10V/DALI	TRIAC/1-10V/DALI	TRIAC/1-10V/DALI	TRIAC/1-10V/DALI
Reflector Colour	Matt Silver black Gold White Red	Matt Silver black Gold White Red	Matt Silver black Gold White Red	Matt Silver black Gold White Red		Matt Silver black Gold White Red	Matt Silver black Gold White Red	Matt Silver black Gold White Red	Matt Silver black Gold White Red
Colour	White/black	White/black	White/black	White/black		White/black	White/black	White/black	White/black

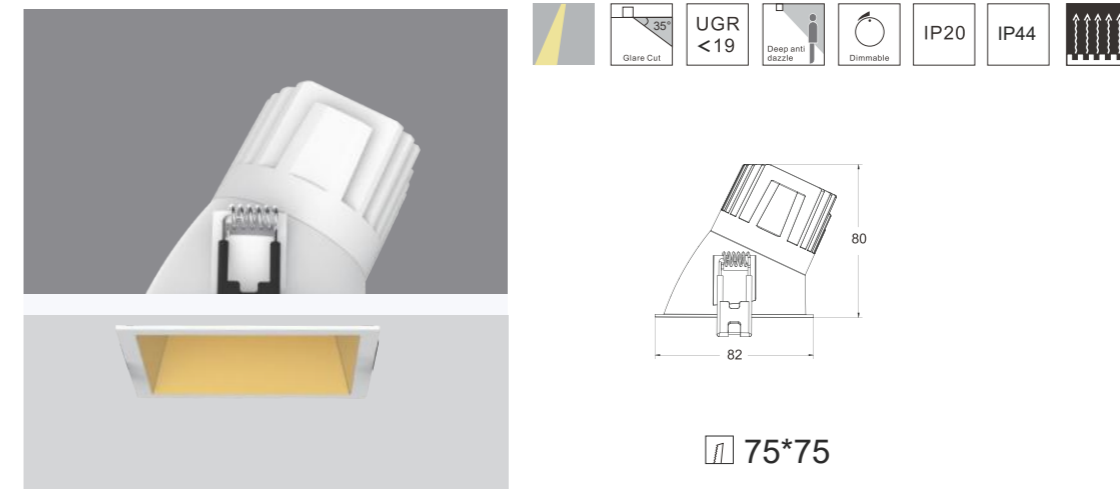
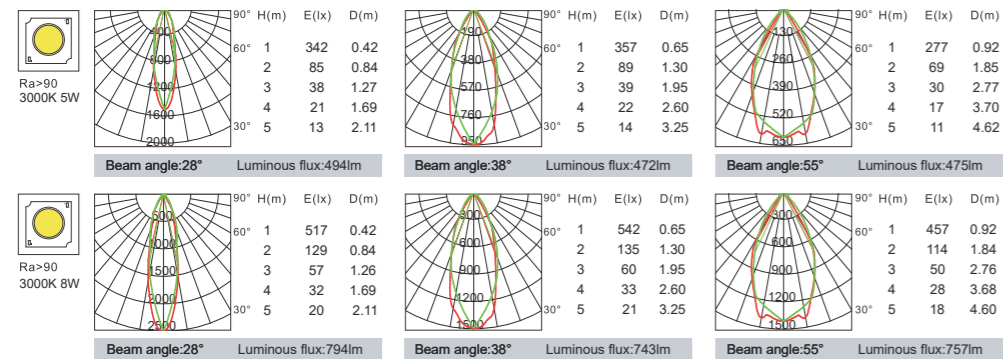
Reflecting Accessories



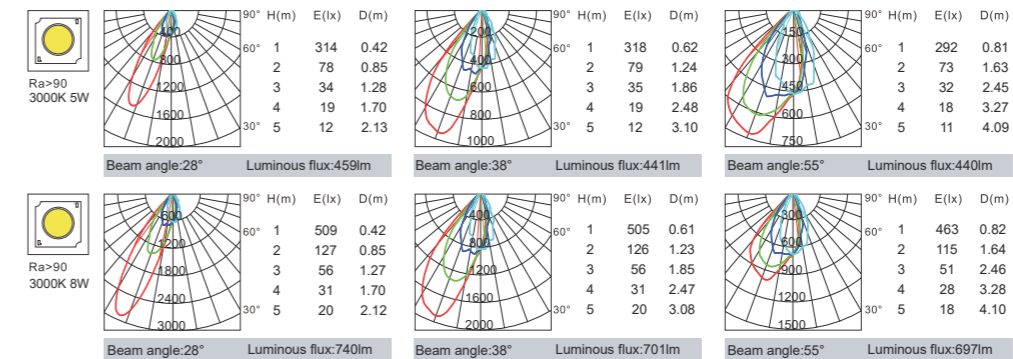
White Red Gold Matt Silver Black

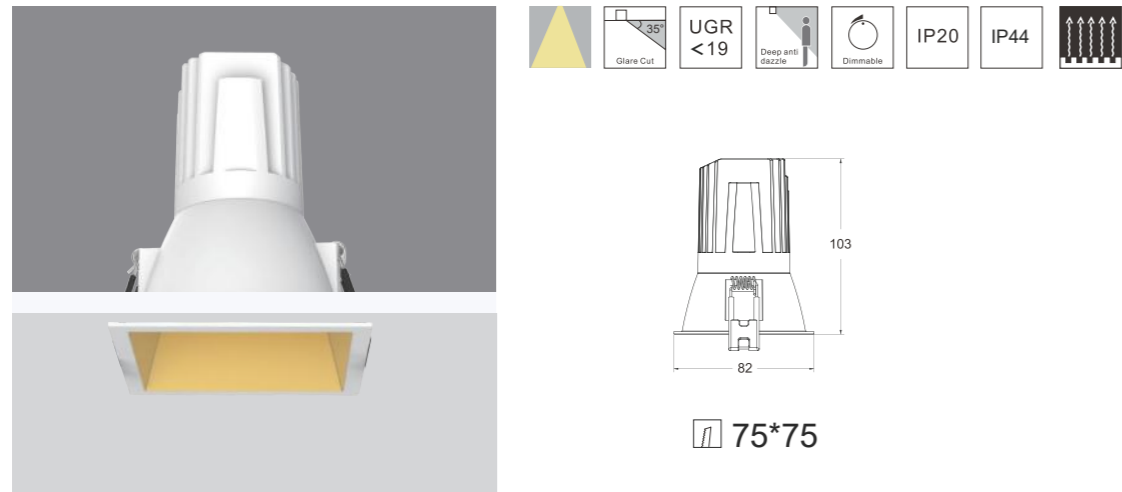


Model	Power	LED voltage	LED Current	CRI	CCT	Beam Angle	LED Output	System output	Dimming Type
K-CL37-305F-S2G	5W	34V	120mA	90	2700K	28°	710lm	470lm	ON-OFF TRIAC
						38°	710lm	449lm	1-10V
						55°	710lm	452lm	DALI
	5W	34V	120mA	90	3000K	28°	746lm	494lm	ON-OFF TRIAC
						38°	746lm	472lm	1-10V
						55°	746lm	475lm	DALI
	5W	34V	120mv	90	4000K	28°	798lm	528lm	ON-OFF TRIAC
						38°	798lm	504lm	1-10V
						55°	798lm	508lm	DALI
K-CL37-308F-S2G	8W	34V	200mA	90	2700K	28°	852lm	755lm	ON-OFF TRIAC
						38°	852lm	707lm	1-10V
						55°	852lm	720lm	DALI
	8W	34V	200mA	90	3000K	28°	895lm	794lm	ON-OFF TRIAC
						38°	895lm	743lm	1-10V
						55°	895lm	757lm	DALI
	8W	34V	200mA	90	4000K	28°	957lm	849lm	ON-OFF TRIAC
						38°	957lm	794lm	1-10V
						55°	957lm	809lm	DALI

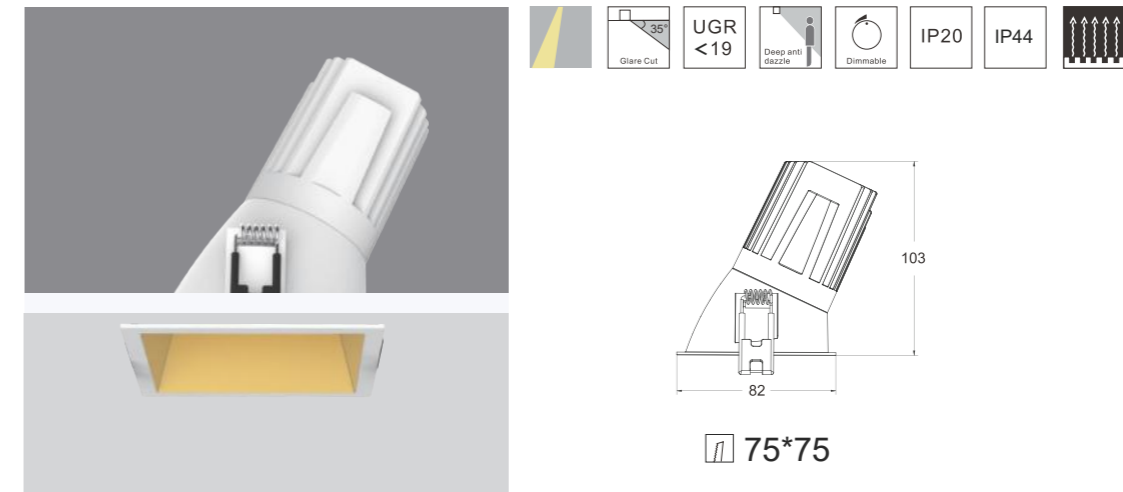
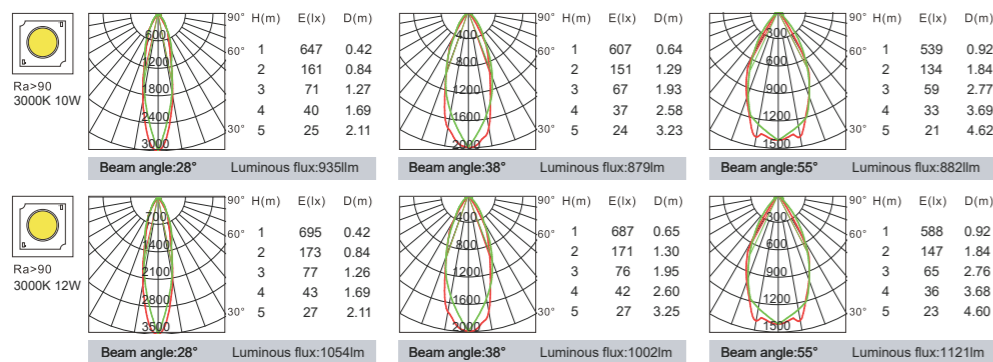


Model	Power	LED voltage	LED Current	CRI	CCT	Beam Angle	LED Output	System output	Dimming Type
K-CL37-305W-S2G	5W	34V	120mA	90	2700K	28°	710lm	436lm	ON-OFF TRIAC
						38°	710lm	419lm	1-10V
						55°	710lm	418lm	DALI
	5W	34V	120mA	90	3000K	28°	746lm	459lm	ON-OFF TRIAC
						38°	746lm	441lm	1-10V
						55°	746lm	440lm	DALI
	5W	34V	120mv	90	4000K	28°	798lm	487lm	ON-OFF TRIAC
						38°	798lm	468lm	1-10V
						55°	798lm	467lm	DALI
K-CL37-308W-S2G	8W	34V	200mA	90	2700K	28°	852lm	704lm	ON-OFF TRIAC
						38°	852lm	667lm	1-10V
						55°	852lm	663lm	DALI
	8W	34V	200mA	90	3000K	28°	895lm	740lm	ON-OFF TRIAC
						38°	895lm	701lm	1-10V
						55°	895lm	697lm	DALI
	8W	34V	200mA	90	4000K	28°	957lm	785lm	ON-OFF TRIAC
						38°	957lm	744lm	1-10V
						55°	957lm	739lm	DALI

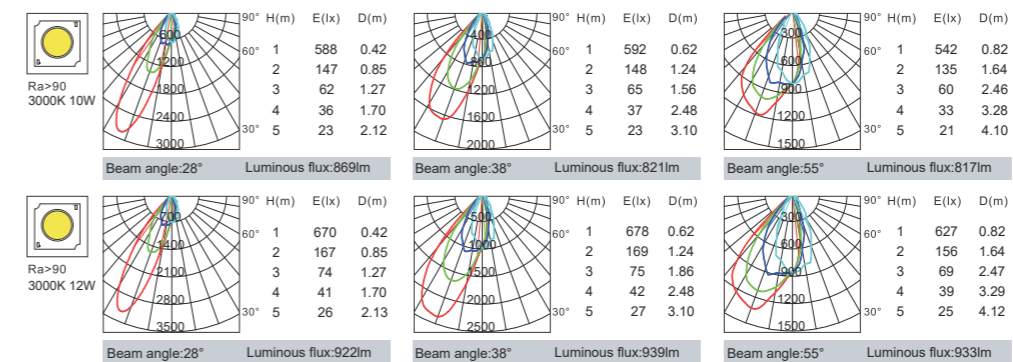


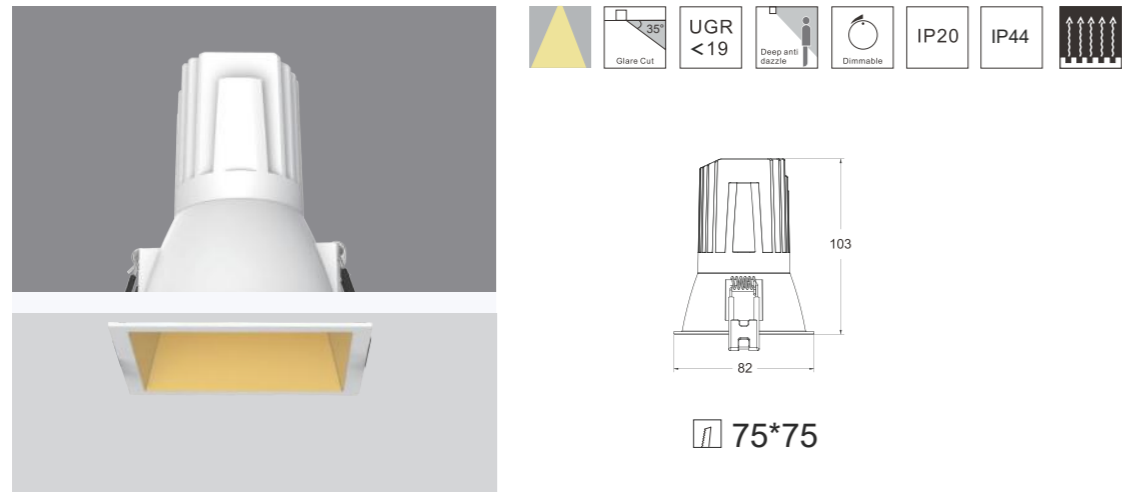


Model	Power	LED voltage	LED Current	CRI	CCT	Beam Angle	LED Output	System output	Dimming Type
K-CL37-310F-S2G	10W	34V	250mA	90	2700K	28°	965lm	888lm	ON-OFF TRIAC
						38°	965lm	835lm	1-10V
						55°	965lm	927lm	DALI
	10W	34V	250mA	90	3000K	28°	1015lm	935lm	ON-OFF TRIAC
						38°	1015lm	879lm	1-10V
						55°	1015lm	882lm	DALI
	10W	34V	250mA	90	4000K	28°	1077lm	992lm	ON-OFF TRIAC
						38°	1077lm	932lm	1-10V
						55°	1077lm	935lm	DALI
K-CL37-312F-S2G	12W	34V	300mA	90	2700K	28°	1159lm	1002lm	ON-OFF TRIAC
						38°	1159lm	953lm	1-10V
						55°	1159lm	1004lm	DALI
	12W	34V	300mA	90	3000K	28°	1218lm	1054lm	ON-OFF TRIAC
						38°	1218lm	1002lm	1-10V
						55°	1218lm	1056lm	DALI
	12W	34V	300mA	90	4000K	28°	1293lm	1118lm	ON-OFF TRIAC
						38°	1293lm	1063lm	1-10V
						55°	1293lm	1121lm	DALI

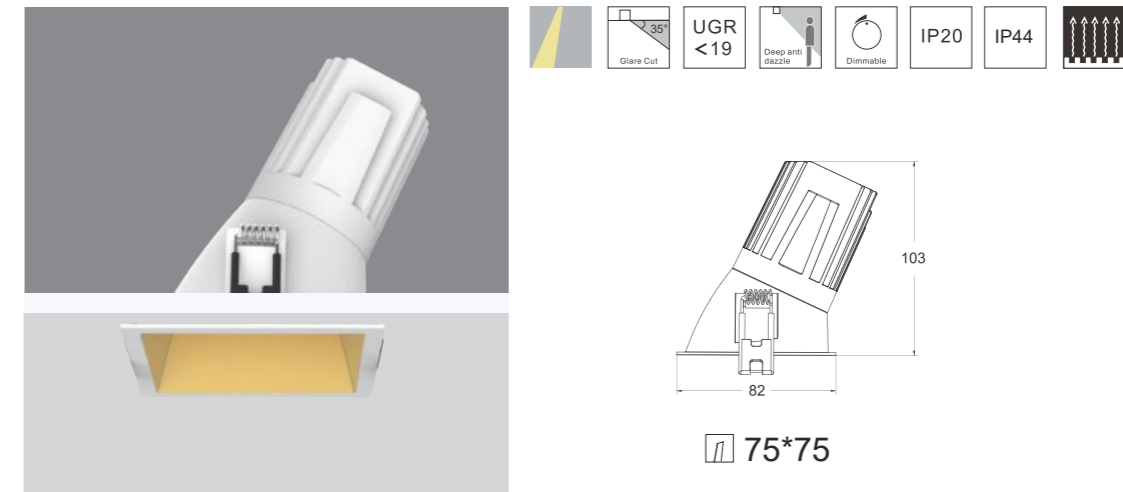
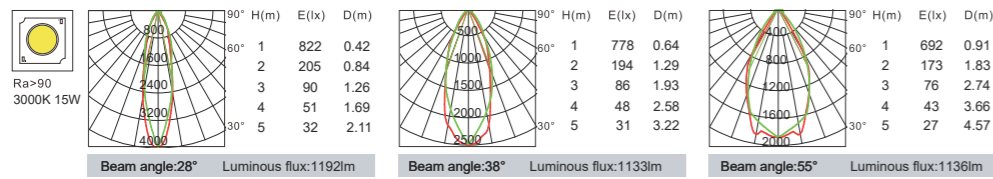


Model	Power	LED voltage	LED Current	CRI	CCT	Beam Angle	LED Output	System output	Dimming Type
K-CL37-310W-S2G	10W	34V	250mA	90	2700K	28°	965lm	826lm	ON-OFF TRIAC
						38°	965lm	780lm	1-10V
						55°	965lm	776lm	DALI
	10W	34V	250mA	90	3000K	28°	1015lm	869lm	ON-OFF TRIAC
						38°	1015lm	821lm	1-10V
						55°	1015lm	817lm	DALI
	10W	34V	250mA	90	4000K	28°	1077lm	922lm	ON-OFF TRIAC
						38°	1077lm	871lm	1-10V
						55°	1077lm	866lm	DALI
K-CL37-312W-S2G	12W	34V	300mA	90	2700K	28°	1159lm	877lm	ON-OFF TRIAC
						38°	1159lm	893lm	1-10V
						55°	1159lm	887lm	DALI
	12W	34V	300mA	90	3000K	28°	1218lm	922lm	ON-OFF TRIAC
						38°	1218lm	939lm	1-10V
						55°	1218lm	933lm	DALI
	12W	34V	300mA	90	4000K	28°	1293lm	978lm	ON-OFF TRIAC
						38°	1293lm	996lm	1-10V
						55°	1293lm	990lm	DALI

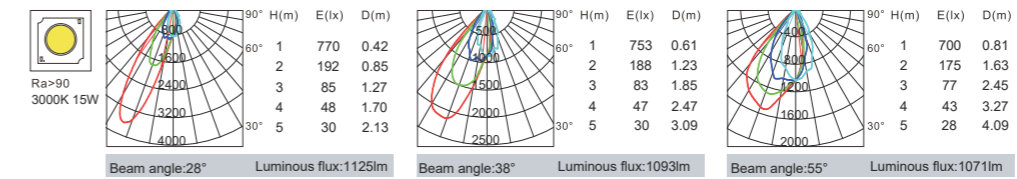


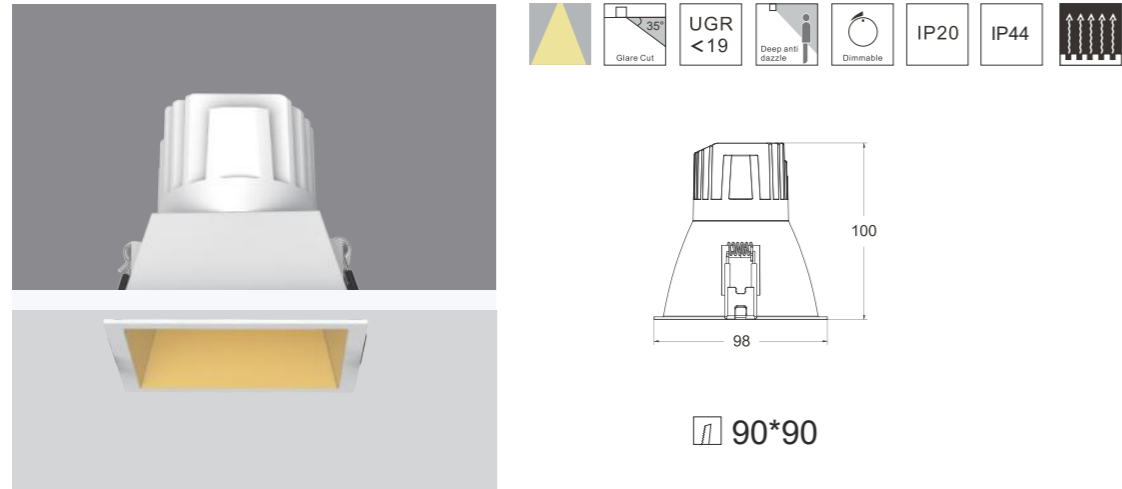


Model	Power	LED voltage	LED Current	CRI	CCT	Beam Angle	LED Output	System output	Dimming Type
K-CL37-315F-S2G	15W	34V	350mA	90	2700K	28°	1314lm	1132lm	ON-OFF TRIAC
						38°	1314lm	1076lm	1-10V DALI
						55°	1314lm	1079lm	DALI
	15W	34V	350mA	90	3000K	28°	1383lm	1192lm	ON-OFF TRIAC
						38°	1383lm	1133lm	1-10V DALI
						55°	1383lm	1136lm	DALI
	15W	34V	350mA	90	4000K	28°	1467lm	1123lm	ON-OFF TRIAC
						38°	1467lm	1201lm	1-10V DALI
						55°	1467lm	1204lm	DALI

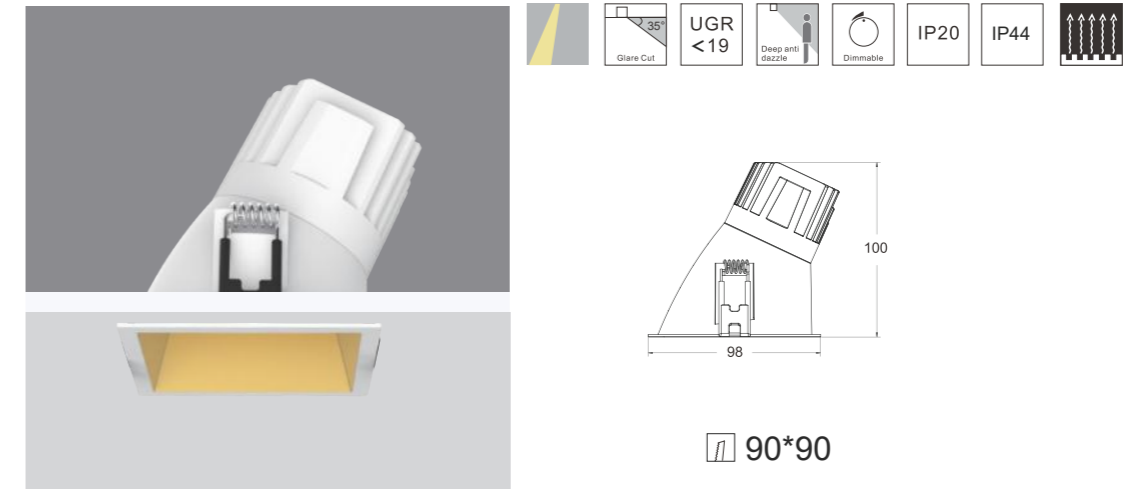
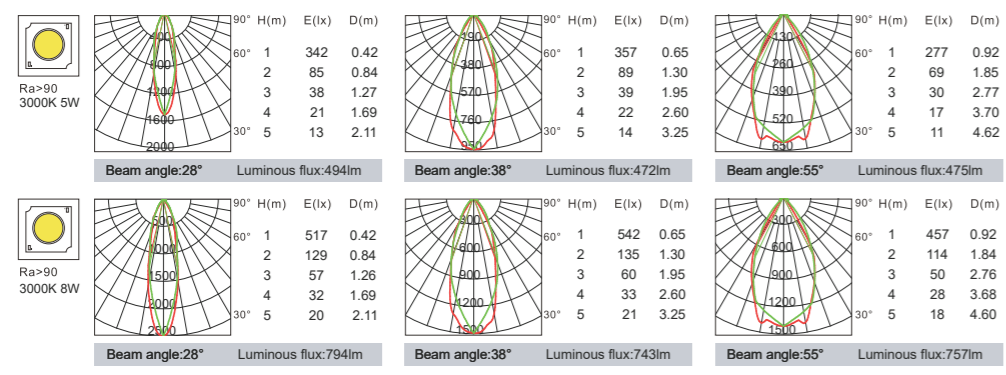


Model	Power	LED voltage	LED Current	CRI	CCT	Beam Angle	LED Output	System output	Dimming Type
K-CL37-315W-S2G	15W	34V	350mA	90	2700K	28°	1314lm	1068lm	ON-OFF TRIAC
						38°	1314lm	1038lm	1-10V DALI
						55°	1314lm	1017lm	DALI
	15W	34V	350mA	90	3000K	28°	1383lm	1125lm	ON-OFF TRIAC
						38°	1383lm	1093lm	1-10V DALI
						55°	1383lm	1071lm	DALI
	15W	34V	350mA	90	4000K	28°	1467lm	1193lm	ON-OFF TRIAC
						38°	1467lm	1159lm	1-10V DALI
						55°	1467lm	1136lm	DALI

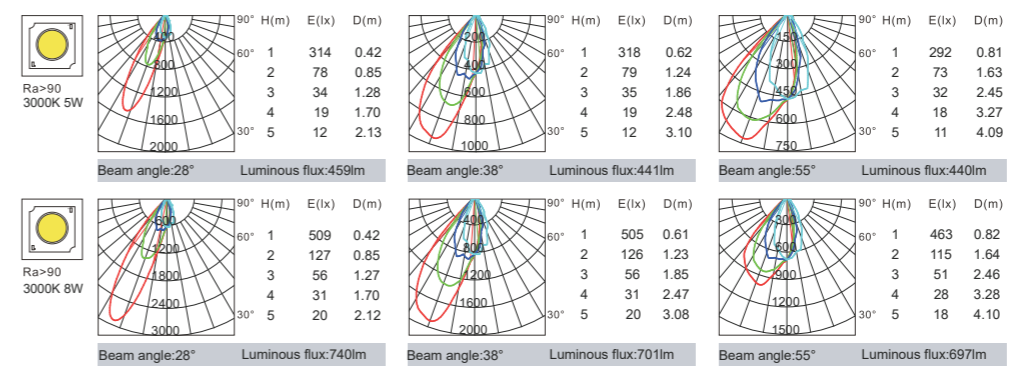


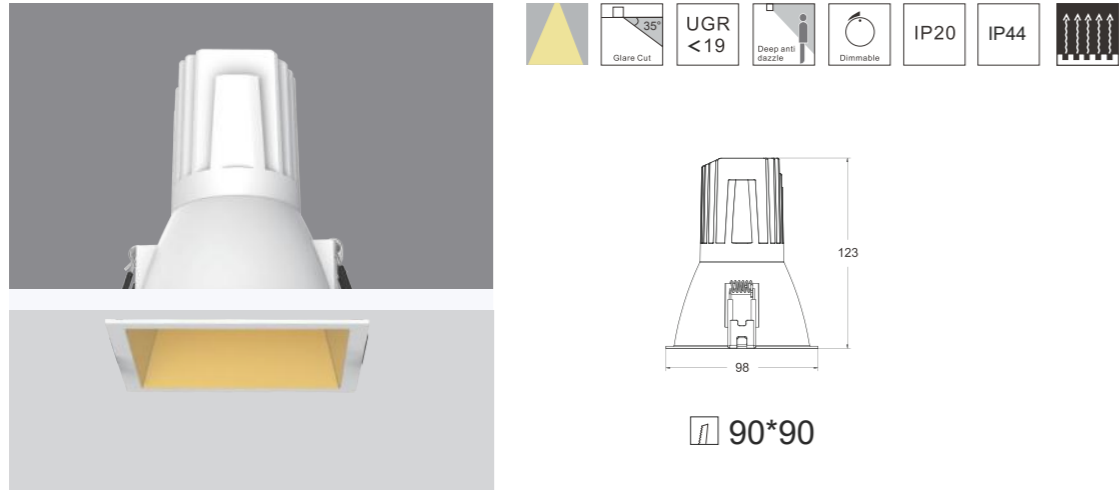


Model	Power	LED voltage	LED Current	CRI	CCT	Beam Angle	LED Output	System output	Dimming Type
K-CL37-3505F-S2G	5W	34V	120mA	90	2700K	28°	710lm	470lm	ON-OFF TRIAC
						38°	710lm	449lm	1-10V
						55°	710lm	452lm	DALI
	5W	34V	120mA	90	3000K	28°	746lm	494lm	ON-OFF TRIAC
						38°	746lm	472lm	1-10V
						55°	746lm	475lm	DALI
5W	34V	120mA	90	4000K	28°	798lm	528lm	ON-OFF TRIAC	
					38°	798lm	504lm	1-10V	
					55°	798lm	508lm	DALI	
K-CL37-3508F-S2G	8W	34V	200mA	90	2700K	28°	852lm	755lm	ON-OFF TRIAC
						38°	852lm	707lm	1-10V
						55°	852lm	720lm	DALI
	8W	34V	200mA	90	3000K	28°	895lm	794lm	ON-OFF TRIAC
						38°	895lm	743lm	1-10V
						55°	895lm	757lm	DALI
8W	34V	200mA	90	4000K	28°	957lm	849lm	ON-OFF TRIAC	
					38°	957lm	794lm	1-10V	
					55°	957lm	809lm	DALI	

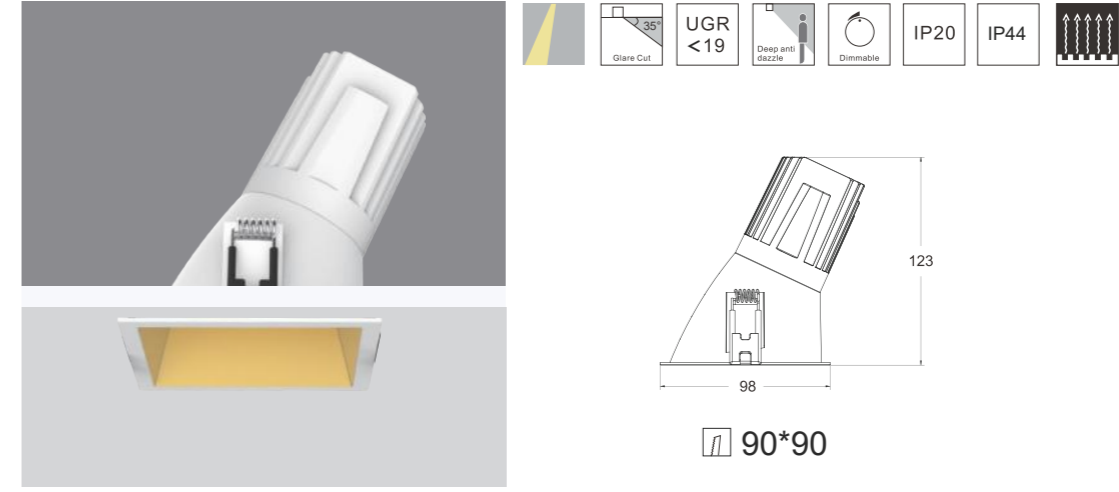
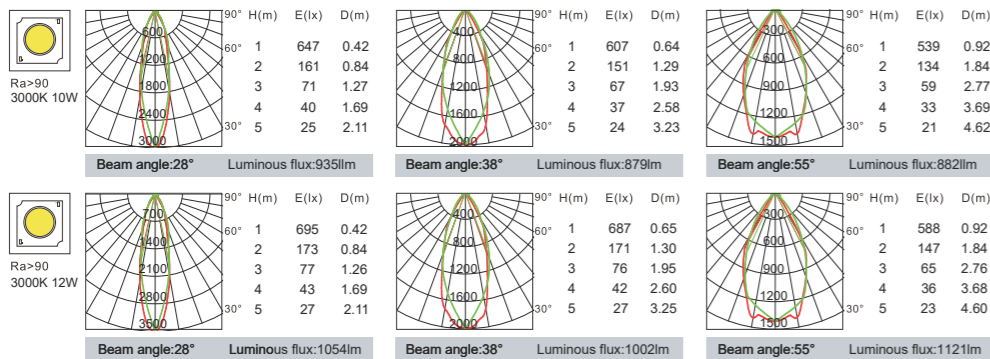


Model	Power	LED voltage	LED Current	CRI	CCT	Beam Angle	LED Output	System output	Dimming Type
K-CL37-3505W-S2G	5W	34V	120mA	90	2700K	28°	710lm	436lm	ON-OFF TRIAC
						38°	710lm	419lm	1-10V
						55°	710lm	418lm	DALI
	5W	34V	120mA	90	3000K	28°	746lm	459lm	ON-OFF TRIAC
						38°	746lm	441lm	1-10V
						55°	746lm	440lm	DALI
5W	34V	120mA	90	4000K	28°	798lm	487lm	ON-OFF TRIAC	
					38°	798lm	468lm	1-10V	
					55°	798lm	467lm	DALI	
K-CL37-3508W-S2G	8W	34V	200mA	90	2700K	28°	852lm	704lm	ON-OFF TRIAC
						38°	852lm	667lm	1-10V
						55°	852lm	663lm	DALI
	8W	34V	200mA	90	3000K	28°	895lm	740lm	ON-OFF TRIAC
						38°	895lm	701lm	1-10V
						55°	895lm	697lm	DALI
8W	34V	200mA	90	4000K	28°	957lm	785lm	ON-OFF TRIAC	
					38°	957lm	744lm	1-10V	
					55°	957lm	739lm	DALI	

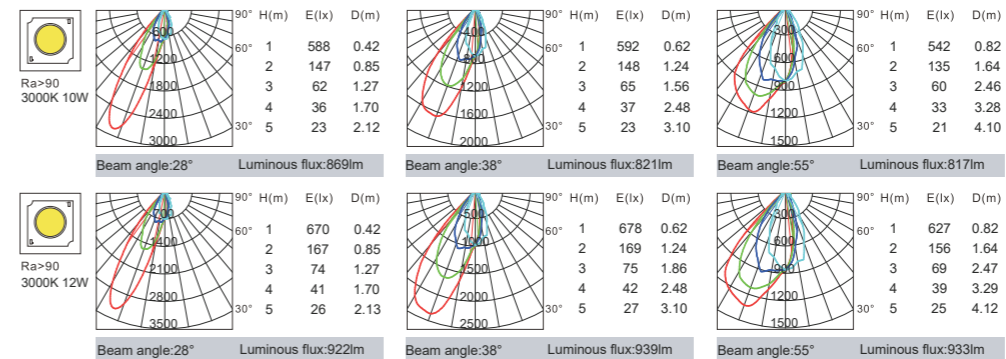


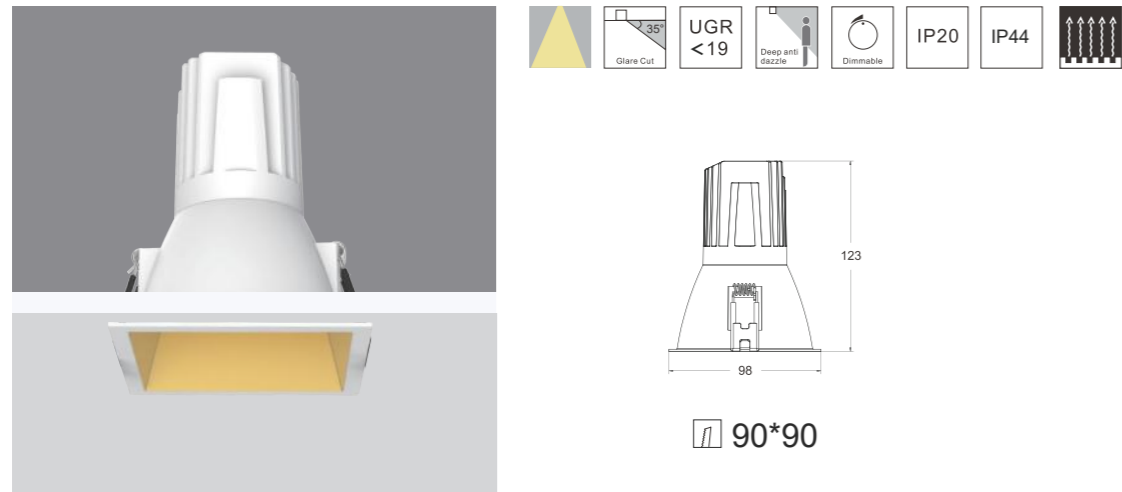


Model	Power	LED voltage	LED Current	CRI	CCT	Beam Angle	LED Output	System output	Dimming Type
K-CL37-3510F-S2G	10W	34V	250mA	90	2700K	28°	965lm	888lm	ON-OFF TRIAC
						38°	965lm	835lm	1-10V
						55°	965lm	927lm	DALI
	10W	34V	250mA	90	3000K	28°	1015lm	935lm	ON-OFF TRIAC
						38°	1015lm	879lm	1-10V
						55°	1015lm	882lm	DALI
	10W	34V	250mA	90	4000K	28°	1077lm	992lm	ON-OFF TRIAC
						38°	1077lm	932lm	1-10V
						55°	1077lm	935lm	DALI
K-CL37-3512F-S2G	12W	34V	300mA	90	2700K	28°	1159lm	1002lm	ON-OFF TRIAC
						38°	1159lm	953lm	1-10V
						55°	1159lm	1004lm	DALI
	12W	34V	300mA	90	3000K	28°	1218lm	1054lm	ON-OFF TRIAC
						38°	1218lm	1002lm	1-10V
						55°	1218lm	1056lm	DALI
	12W	34V	300mA	90	4000K	28°	1293lm	1118lm	ON-OFF TRIAC
						38°	1293lm	1063lm	1-10V
						55°	1293lm	1121lm	DALI

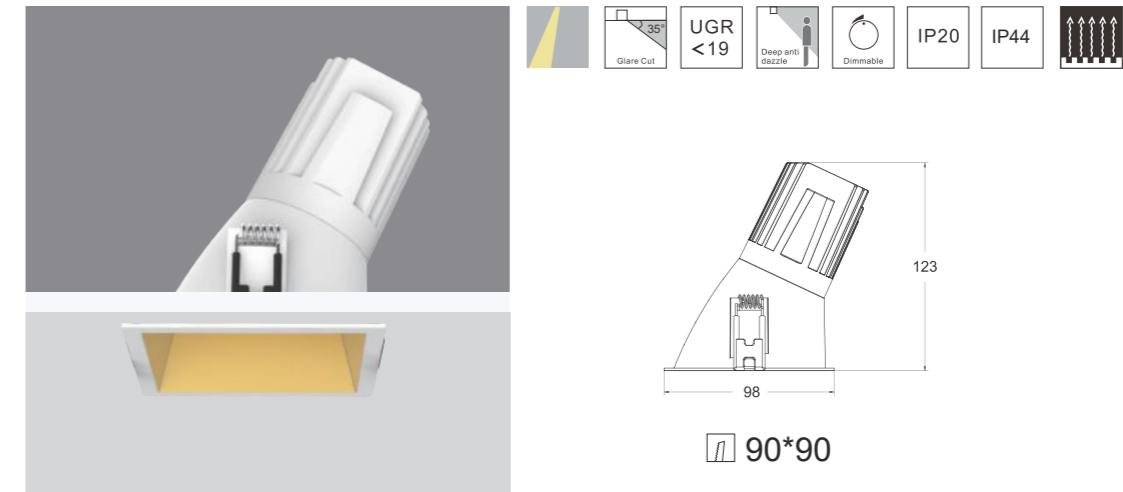
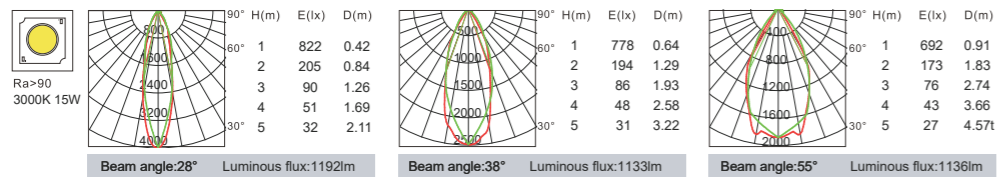


Model	Power	LED voltage	LED Current	CRI	CCT	Beam Angle	LED Output	System output	Dimming Type
K-CL37-3510W-S2G	10W	34V	250mA	90	2700K	28°	965lm	826lm	ON-OFF TRIAC
						38°	965lm	780lm	1-10V
						55°	965lm	776lm	DALI
	10W	34V	250mA	90	3000K	28°	1015lm	869lm	ON-OFF TRIAC
						38°	1015lm	821lm	1-10V
						55°	1015lm	817lm	DALI
	10W	34V	250mA	90	4000K	28°	1077lm	922lm	ON-OFF TRIAC
						38°	1077lm	871lm	1-10V
						55°	1077lm	866lm	DALI
K-CL37-3512W-S2G	12W	34V	300mA	90	2700K	28°	1159lm	877lm	ON-OFF TRIAC
						38°	1159lm	893lm	1-10V
						55°	1159lm	887lm	DALI
	12W	34V	300mA	90	3000K	28°	1218lm	922lm	ON-OFF TRIAC
						38°	1218lm	939lm	1-10V
						55°	1218lm	933lm	DALI
	12W	34V	300mA	90	4000K	28°	1293lm	978lm	ON-OFF TRIAC
						38°	1293lm	996lm	1-10V
						55°	1293lm	990lm	DALI





Model	Power	LED voltage	LED Current	CRI	CCT	Beam Angle	LED Output	System output	Dimming Type
K-CL37-3515F-S2G	15W	34V	350mA	90	2700K	28°	1314lm	1068lm	ON-OFF TRIAC
						38°	1314lm	1038lm	1-10V DALI
						55°	1314lm	1017lm	DALI
	15W	34V	350mA	90	3000K	28°	1383lm	1125lm	ON-OFF TRIAC
						38°	1383lm	1093lm	1-10V DALI
						55°	1383lm	1071lm	DALI
	15W	34V	350mA	90	4000K	28°	1467lm	1193lm	ON-OFF TRIAC
						38°	1467lm	1159lm	1-10V DALI
						55°	1467lm	1136lm	DALI



Model	Power	LED voltage	LED Current	CRI	CCT	Beam Angle	LED Output	System output	Dimming Type
K-CL37-3515W-S2G	15W	34V	350mA	90	2700K	28°	1314lm	1068lm	ON-OFF TRIAC
						38°	1314lm	1038lm	1-10V DALI
						55°	1314lm	1017lm	DALI
	15W	34V	350mA	90	3000K	28°	1383lm	1125lm	ON-OFF TRIAC
						38°	1383lm	1093lm	1-10V DALI
						55°	1383lm	1071lm	DALI
	15W	34V	350mA	90	4000K	28°	1467lm	1193lm	ON-OFF TRIAC
						38°	1467lm	1159lm	1-10V DALI
						55°	1467lm	1136lm	DALI

