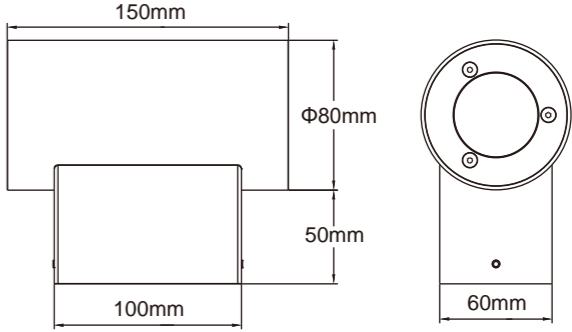
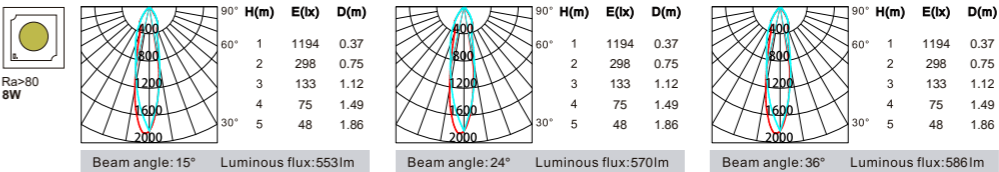




KS-WL02-0808

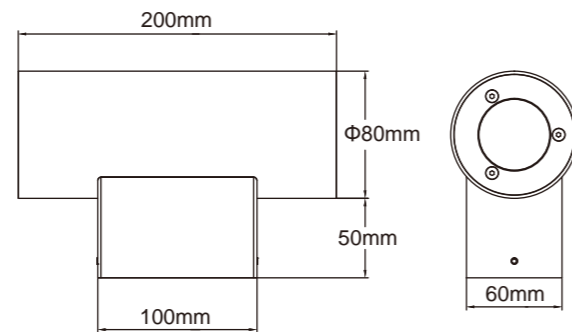


Model	Power	LED voltage	LED Current	CRI	CCT	Beam Angle	LED Output	System output	Dimming Type
KAS-WL02-0808	8W	36V	200mA	80	2700K	15°	561lm	474lm	ON-OFF TRIAC
						24°	561lm	488lm	1-10V
						36°	561lm	502lm	DALI
KAS-WL02-0808	8W	36V	200mA	80	3000K	15°	655lm	553lm	ON-OFF TRIAC
						24°	655lm	570lm	1-10V
						36°	655lm	586lm	DALI
KAS-WL02-0808	8W	36V	200mA	80	3500K	15°	695lm	587lm	ON-OFF TRIAC
						24°	695lm	605lm	1-10V
						36°	695lm	622lm	DALI
KAS-WL02-0808	8W	36V	200mA	80	4000K	15°	735lm	620lm	ON-OFF TRIAC
						24°	735lm	640lm	1-10V
						36°	735lm	658lm	DALI

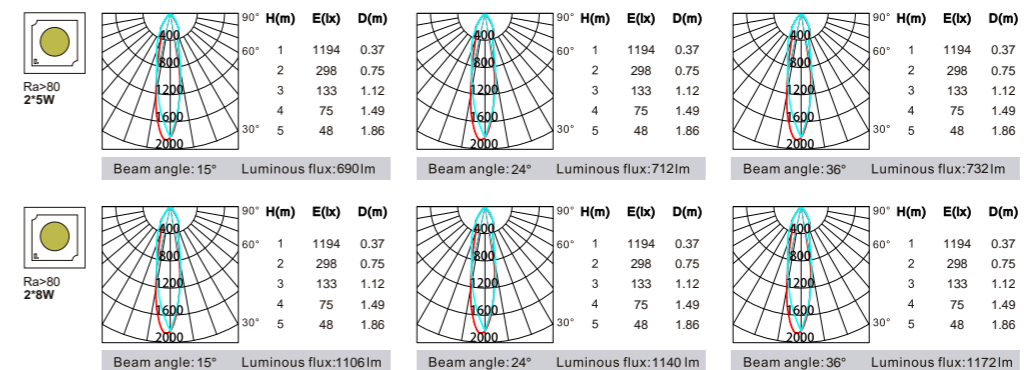




KS-WL02-0816

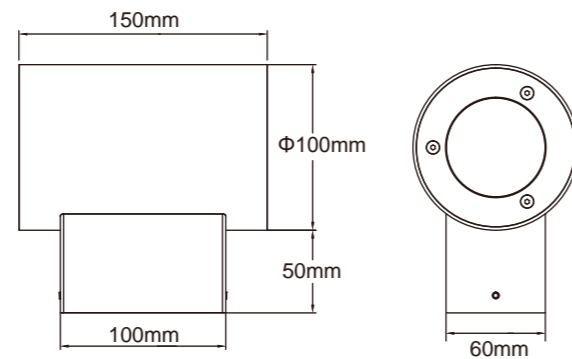


Model	Power	LED voltage	LED Current	CRI	CCT	Beam Angle	LED Output	System output	Dimming Type
KS-WL02-0816	2*5W	36V	120mA	80	2700K	15°	674lm	594lm	ON-OFF TRIAC 1-10V DALI
						24°	674lm	612lm	
						36°	674lm	629lm	
	2*5W	36V	120mA	80	3000K	15°	784lm	690lm	ON-OFF TRIAC 1-10V DALI
						24°	784lm	712lm	
						36°	784lm	732lm	
	2*5W	36V	120mA	80	3500K	15°	831lm	731lm	ON-OFF TRIAC 1-10V DALI
						24°	831lm	755lm	
						36°	831lm	776lm	
	2*5W	36V	120mA	80	4000K	15°	878lm	773lm	ON-OFF TRIAC 1-10V DALI
						24°	878lm	797lm	
						36°	878lm	820lm	
	2*8W	36V	200mA	80	2700K	15°	1122lm	947lm	ON-OFF TRIAC 1-10V DALI
						24°	1122lm	976lm	
						36°	1122lm	1004lm	
	2*8W	36V	200mA	80	3000K	15°	1310lm	1106lm	ON-OFF TRIAC 1-10V DALI
						24°	1310lm	1140lm	
						36°	1310lm	1172lm	
	2*8W	36V	200mA	80	3500K	15°	1390lm	1174lm	ON-OFF TRIAC 1-10V DALI
						24°	1390lm	1210lm	
						36°	1390lm	1246lm	
	2*8W	36V	200mA	80	4000K	15°	1470lm	1241lm	ON-OFF TRIAC 1-10V DALI
						24°	1470lm	1279lm	
						36°	1470lm	1315lm	

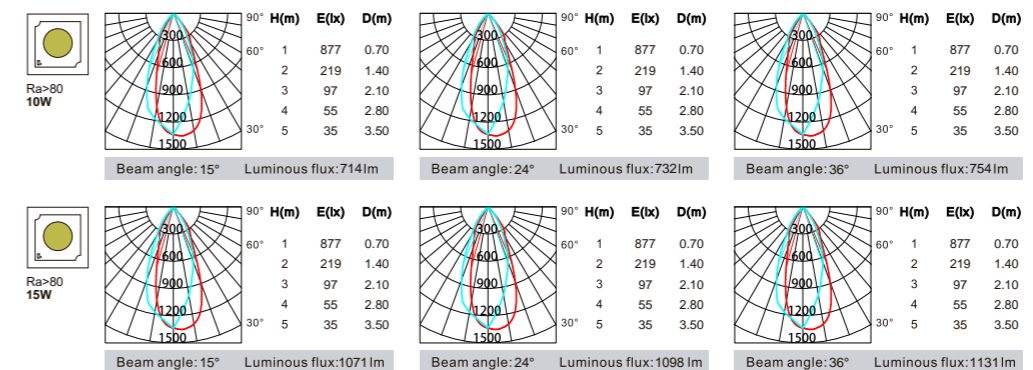


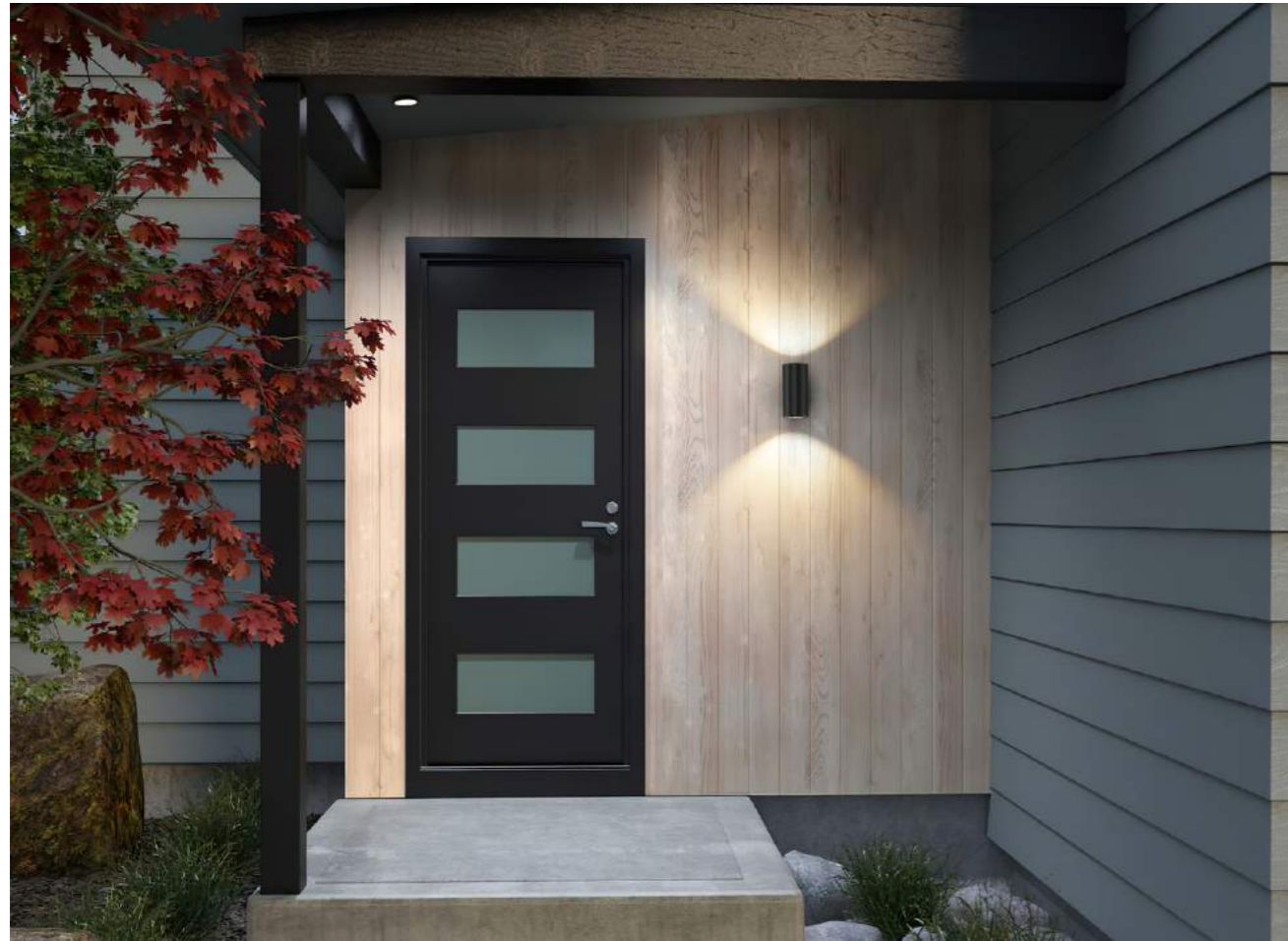


KS-WL02-1010

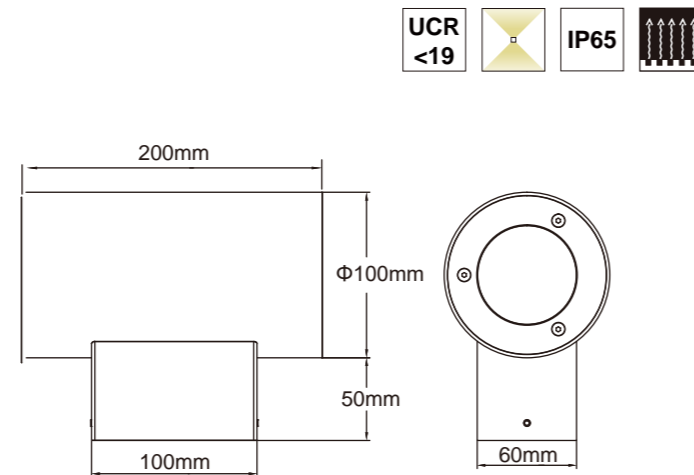


Model	Power	LED voltage	LED Current	CRI	CCT	Beam Angle	LED Output	System output	Dimming Type
KS-WL02-1010	10W	36V	250mA	80	2700K	15°	702lm	613lm	ON-OFF TRIAC 1-10V DALI
						24°	702lm	629lm	
						36°	702lm	649lm	
10W	36V	250mA	80	3000K	15°	817lm	714lm	ON-OFF TRIAC 1-10V DALI	
					24°	817lm	732lm		
					36°	817lm	754lm		
10W	36V	250mA	80	3500K	15°	866lm	757lm	ON-OFF TRIAC 1-10V DALI	
					24°	866lm	776lm		
					36°	866lm	799lm		
10W	36V	250mA	80	4000K	15°	915lm	800lm	ON-OFF TRIAC 1-10V DALI	
					24°	915lm	820lm		
					36°	915lm	844lm		
15W	36V	400mA	80	2700K	15°	1123lm	920lm	ON-OFF TRIAC 1-10V DALI	
					24°	1123lm	943lm		
					36°	1123lm	972lm		
15W	36V	400mA	80	3000K	15°	1307lm	1071lm	ON-OFF TRIAC 1-10V DALI	
					24°	1307lm	1098lm		
					36°	1307lm	1131lm		
15W	36V	400mA	80	3500K	15°	1386lm	1136lm	ON-OFF TRIAC 1-10V DALI	
					24°	1386lm	1164lm		
					36°	1386lm	1199lm		
15W	36V	400mA	80	4000K	15°	1464lm	1267lm	ON-OFF TRIAC 1-10V DALI	
					24°	1464lm	1230lm		
					36°	1464lm	1267lm		

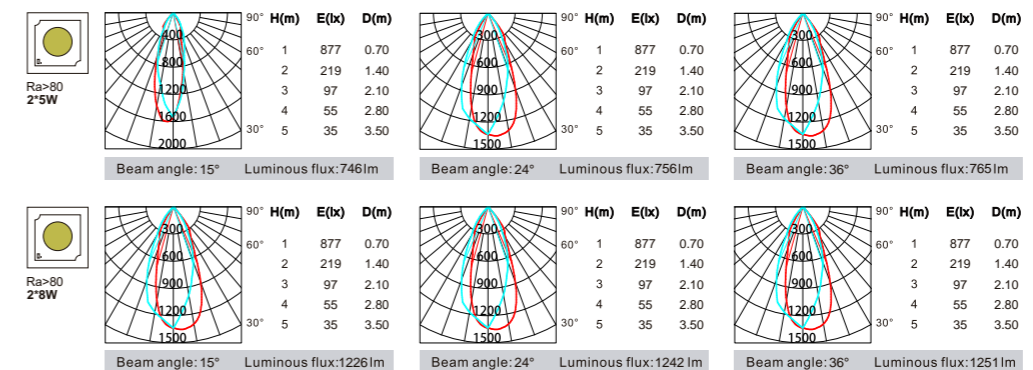




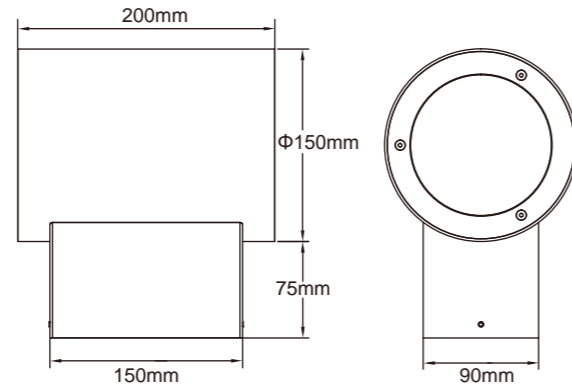
KS-WL02-1016



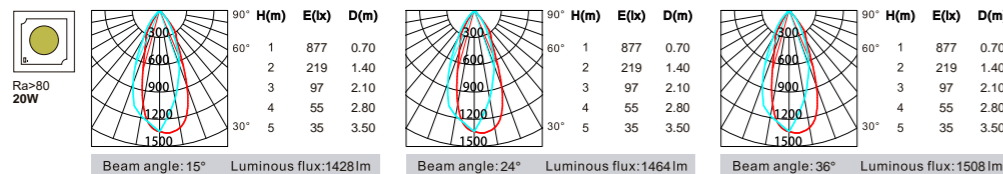
Model	Power	LED voltage	LED Current	CRI	CCT	Beam Angle	LED Output	System output	Dimming Type
KS-WL02-1016	2*5W	36V	120mA	80	2700K	15°	674lm	641lm	ON-OFF TRIAC 1-10V DALI
						24°	674lm	650lm	
						36°	674lm	658lm	
	2*5W	36V	120mA	80	3000K	15°	784lm	746lm	ON-OFF TRIAC 1-10V DALI
						24°	784lm	756lm	
						36°	784lm	765lm	
	2*5W	36V	120mA	80	3500K	15°	831lm	791lm	ON-OFF TRIAC 1-10V DALI
						24°	831lm	801lm	
						36°	831lm	811lm	
	2*5W	36V	120mA	80	4000K	15°	878lm	835lm	ON-OFF TRIAC 1-10V DALI
						24°	878lm	847lm	
						36°	878lm	857lm	
	2*8W	36V	200mA	80	2700K	15°	1122lm	1050lm	ON-OFF TRIAC 1-10V DALI
						24°	1122lm	1064lm	
						36°	1122lm	1071lm	
	2*8W	36V	200mA	80	3000K	15°	1310lm	1226lm	ON-OFF TRIAC 1-10V DALI
						24°	1310lm	1242lm	
						36°	1310lm	1251lm	
	2*8W	36V	200mA	80	3500K	15°	1390lm	1301lm	ON-OFF TRIAC 1-10V DALI
						24°	1390lm	1318lm	
						36°	1390lm	1327lm	
	2*8W	36V	200mA	80	4000K	15°	1470lm	1376lm	ON-OFF TRIAC 1-10V DALI
						24°	1470lm	1394lm	
						36°	1470lm	1404lm	



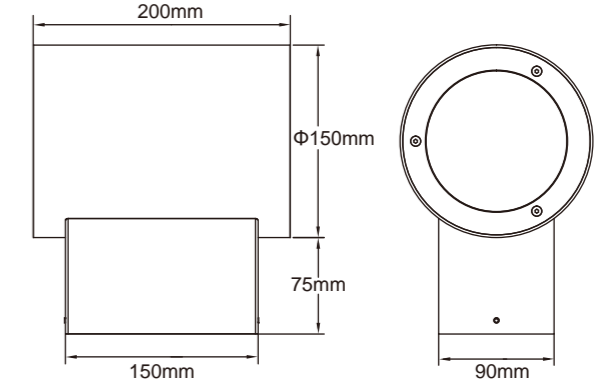
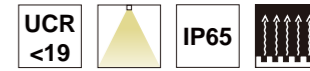
KS-WL02-1520



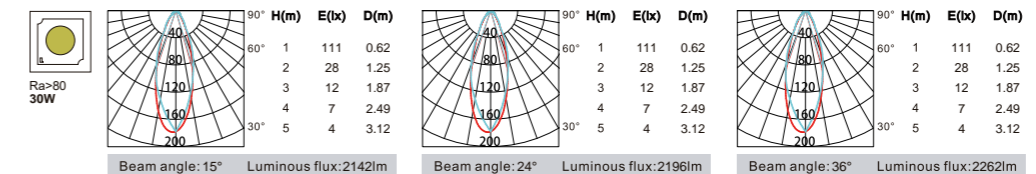
Model	Power	LED voltage	LED Current	CRI	CCT	Beam Angle	LED Output	System output	Dimming Type
KS-WL02-1520	20W	36V	500mA	80	2700K	15°	1404lm	1227lm	ON-OFF TRIAC
						24°	1404lm	1258lm	1-10V
						36°	1404lm	1296lm	DALI
KS-WL02-1520	20W	36V	500mA	80	3000K	15°	1634lm	1428lm	ON-OFF TRIAC
						24°	1634lm	1464lm	1-10V
						36°	1634lm	1508lm	DALI
KS-WL02-1520	20W	36V	500mA	80	3500K	15°	1732lm	1514lm	ON-OFF TRIAC
						24°	1732lm	1552lm	1-10V
						36°	1732lm	1598lm	DALI
KS-WL02-1520	20W	36V	500mA	80	4000K	15°	1830lm	1599lm	ON-OFF TRIAC
						24°	1830lm	1640lm	1-10V
						36°	1830lm	1689lm	DALI



KS-WL02-1530

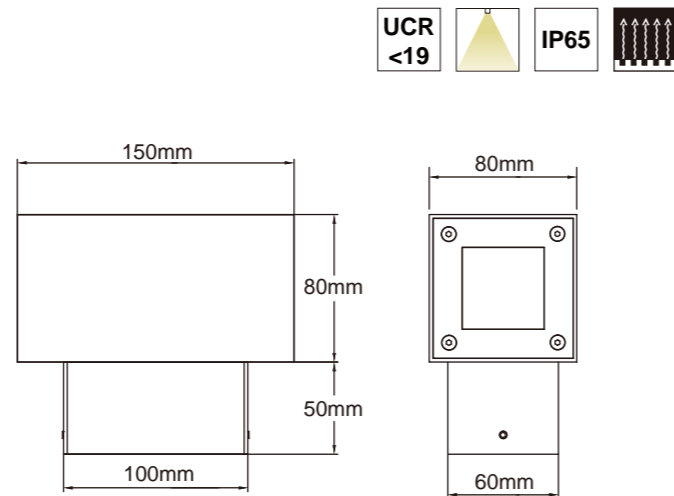


Model	Power	LED voltage	LED Current	CRI	CCT	Beam Angle	LED Output	System output	Dimming Type
KS-WL02-1530	30W	36V	800mA	80	2700K	15°	2247lm	1840lm	ON-OFF TRIAC
						24°	2247lm	1887lm	1-10V
						36°	2247lm	1944lm	DALI
KS-WL02-1530	30W	36V	800mA	80	3000K	15°	2615lm	2142lm	ON-OFF TRIAC
						24°	2615lm	2196lm	1-10V
						36°	2615lm	2262lm	DALI
KS-WL02-1530	30W	36V	800mA	80	3500K	15°	2772lm	2271lm	ON-OFF TRIAC
						24°	2772lm	2328lm	1-10V
						36°	2772lm	2398lm	DALI
KS-WL02-1530	30W	36V	800mA	80	4000K	15°	2928lm	2398lm	ON-OFF TRIAC
						24°	2928lm	2459lm	1-10V
						36°	2928lm	2533lm	DALI

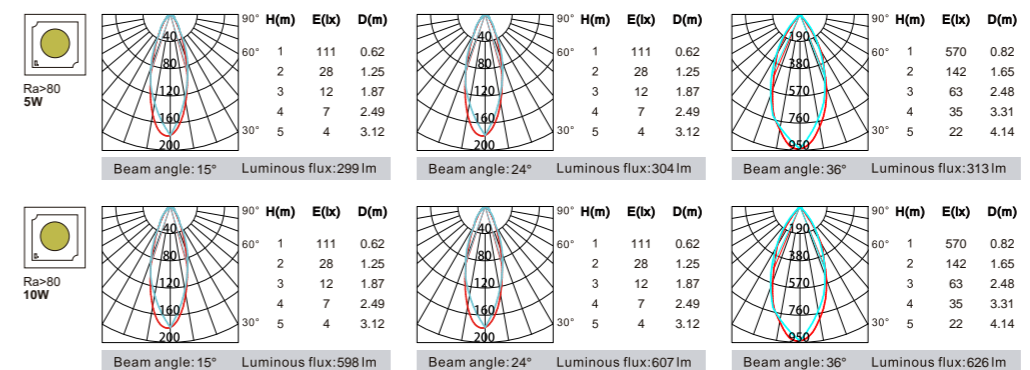


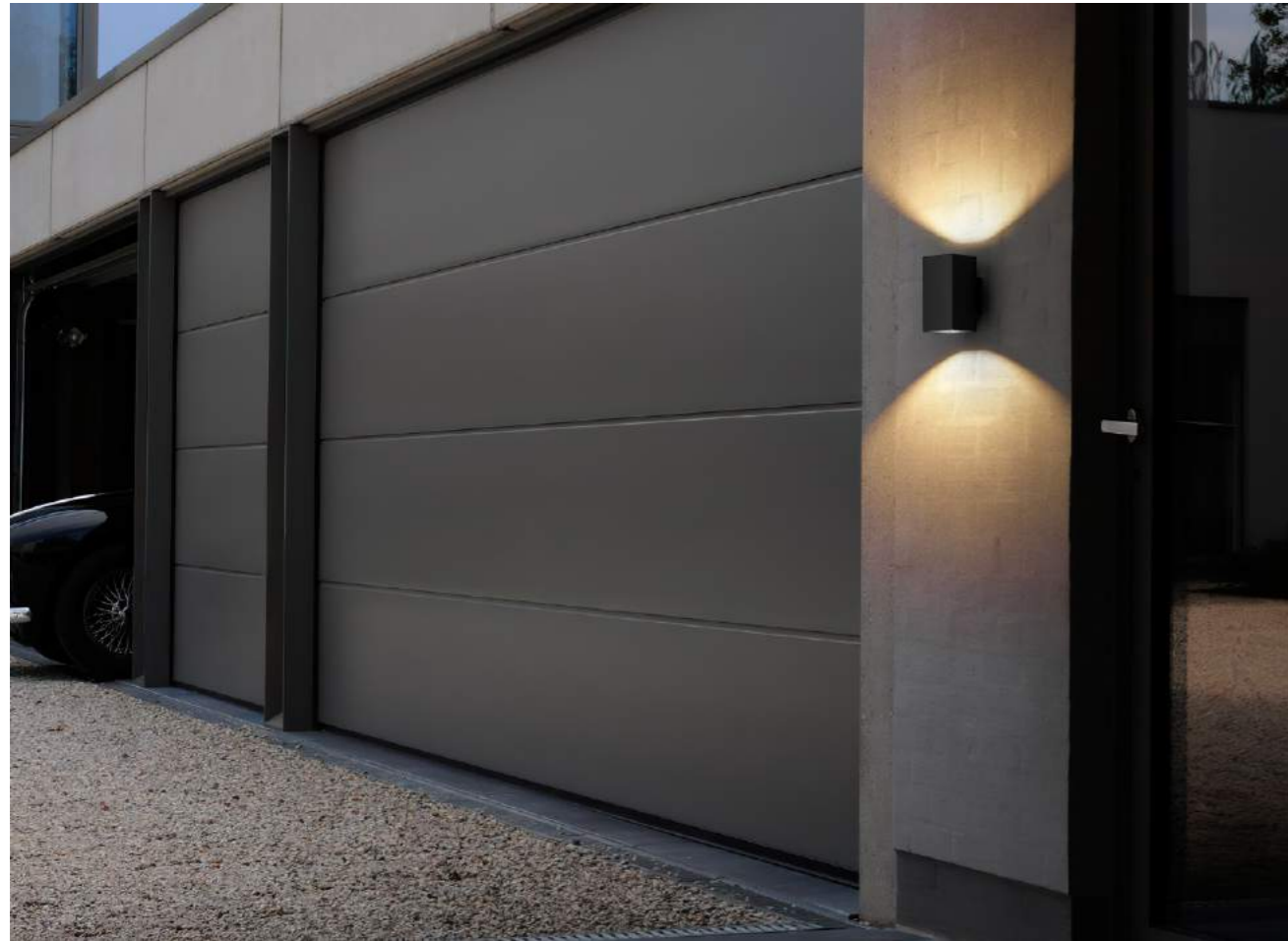


KS-WL03-0810

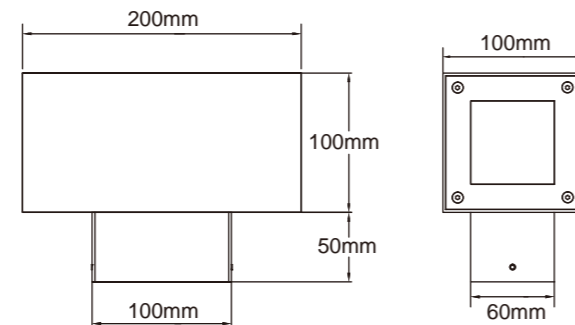


Model	Power	LED voltage	LED Current	CRI	CCT	Beam Angle	LED Output	System output	Dimming Type
KS-WL03-0810	5W	36V	120mA	80	2700K	15°	337lm	257lm	ON-OFF TRIAC 1-10V DALI
						24°	337lm	261lm	
						36°	337lm	269lm	
	5W	36V	120mA	80	3000K	15°	392lm	299lm	ON-OFF TRIAC 1-10V DALI
						24°	392lm	304lm	
						36°	392lm	313lm	
	5W	36V	120mA	80	3500K	15°	416lm	317lm	ON-OFF TRIAC 1-10V DALI
						24°	416lm	323lm	
						36°	416lm	332lm	
	5W	36V	120mA	80	4000K	15°	439lm	335lm	ON-OFF TRIAC 1-10V DALI
						24°	439lm	340lm	
						36°	439lm	351lm	
	10W	36V	250mA	80	2700K	15°	702lm	514lm	ON-OFF TRIAC 1-10V DALI
						24°	702lm	522lm	
						36°	702lm	539lm	
	10W	36V	250mA	80	3000K	15°	817lm	598lm	ON-OFF TRIAC 1-10V DALI
						24°	817lm	607lm	
						36°	817lm	627lm	
	10W	36V	250mA	80	3500K	15°	866lm	634lm	ON-OFF TRIAC 1-10V DALI
						24°	866lm	643lm	
						36°	866lm	665lm	
	10W	36V	250mA	80	4000K	15°	915lm	670lm	ON-OFF TRIAC 1-10V DALI
						24°	915lm	680lm	
						36°	915lm	702lm	



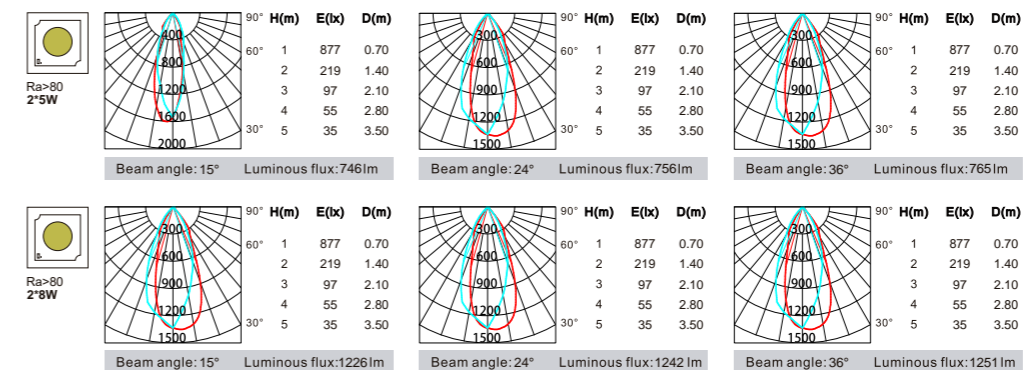


KS-WL03-1016



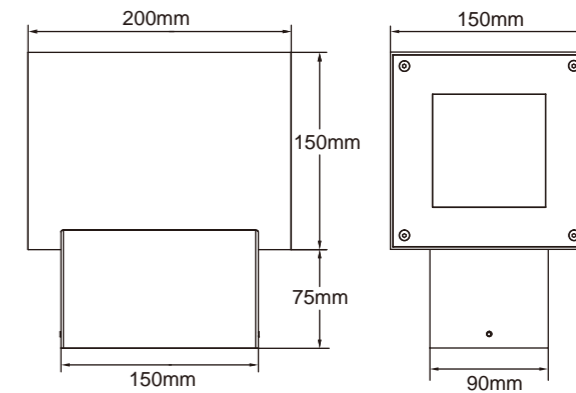
UCR <19
IP65

Model	Power	LED voltage	LED Current	CRI	CCT	Beam Angle	LED Output	System output	Dimming Type
KS-WL03-1016	2*5W	36V	120mA	80	2700K	15°	674lm	641lm	ON-OFF TRIAC 1-10V DALI
						24°	674lm	650lm	
						36°	674lm	658lm	
	2*5W	36V	120mA	80	3000K	15°	784lm	746lm	ON-OFF TRIAC 1-10V DALI
						24°	784lm	756lm	
						36°	784lm	765lm	
	2*5W	36V	120mA	80	3500K	15°	831lm	791lm	ON-OFF TRIAC 1-10V DALI
						24°	831lm	801lm	
						36°	831lm	811lm	
	2*5W	36V	120mA	80	4000K	15°	878lm	835lm	ON-OFF TRIAC 1-10V DALI
						24°	878lm	847lm	
						36°	878lm	857lm	
	2*8W	36V	200mA	80	2700K	15°	1122lm	1050lm	ON-OFF TRIAC 1-10V DALI
						24°	1122lm	1064lm	
						36°	1122lm	1071lm	
	2*8W	36V	200mA	80	3000K	15°	1310lm	1226lm	ON-OFF TRIAC 1-10V DALI
						24°	1310lm	1242lm	
						36°	1310lm	1251lm	
	2*8W	36V	200mA	80	3500K	15°	1390lm	1301lm	ON-OFF TRIAC 1-10V DALI
						24°	1390lm	1318lm	
						36°	1390lm	1327lm	
	2*8W	36V	200mA	80	4000K	15°	1470lm	1376lm	ON-OFF TRIAC 1-10V DALI
						24°	1470lm	1394lm	
						36°	1470lm	1404lm	

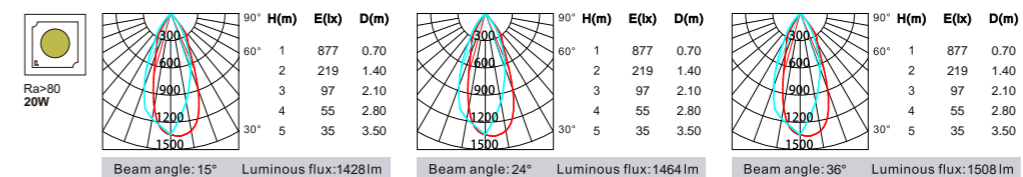




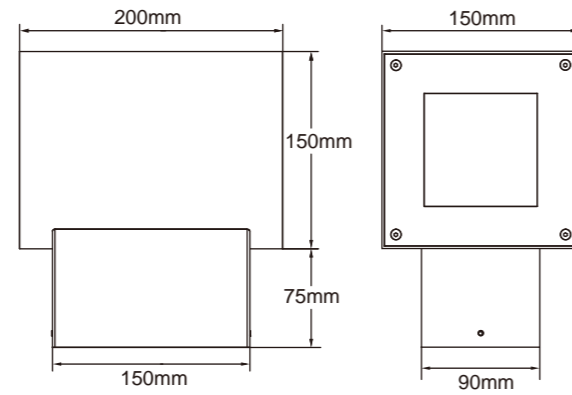
KS-WL03-1520



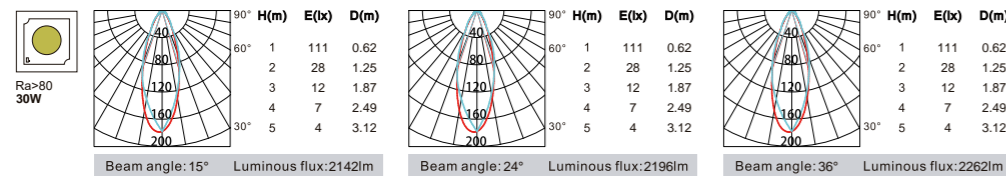
Model	Power	LED voltage	LED Current	CRI	CCT	Beam Angle	LED Output	System output	Dimming Type
KS-WL03-1520	20W	36V	500mA	80	2700K	15°	1404lm	1227lm	ON-OFF TRIAC
						24°	1404lm	1258lm	1-10V
						36°	1404lm	1296lm	DALI
KS-WL03-1520	20W	36V	500mA	80	3000K	15°	1634lm	1428lm	ON-OFF TRIAC
						24°	1634lm	1464lm	1-10V
						36°	1634lm	1508lm	DALI
KS-WL03-1520	20W	36V	500mA	80	3500K	15°	1732lm	1514lm	ON-OFF TRIAC
						24°	1732lm	1552lm	1-10V
						36°	1732lm	1598lm	DALI
KS-WL03-1520	20W	36V	500mA	80	4000K	15°	1830lm	1599lm	ON-OFF TRIAC
						24°	1830lm	1640lm	1-10V
						36°	1830lm	1689lm	DALI



KS-WL03-1530

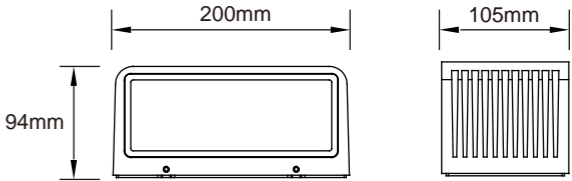



Model	Power	LED voltage	LED Current	CRI	CCT	Beam Angle	LED Output	System output	Dimming Type
KS-WL03-1530	30W	36V	800mA	80	2700K	15°	2247lm	1840lm	ON-OFF
						24°	2247lm	1887lm	TRIAC
						36°	2247lm	1944lm	1-10V DALI
KS-WL03-1530	30W	36V	800mA	80	3000K	15°	2615lm	2142lm	ON-OFF
						24°	2615lm	2196lm	TRIAC
						36°	2615lm	2262lm	1-10V DALI
KS-WL03-1530	30W	36V	800mA	80	3500K	15°	2772lm	2271lm	ON-OFF
						24°	2772lm	2328lm	TRIAC
						36°	2772lm	2398lm	1-10V DALI
KS-WL03-1530	30W	36V	800mA	80	4000K	15°	2928lm	2398lm	ON-OFF
						24°	2928lm	2459lm	TRIAC
						36°	2928lm	2533lm	1-10V DALI



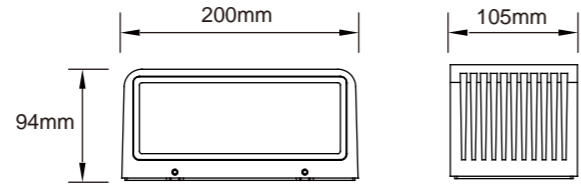



KS-B-003029

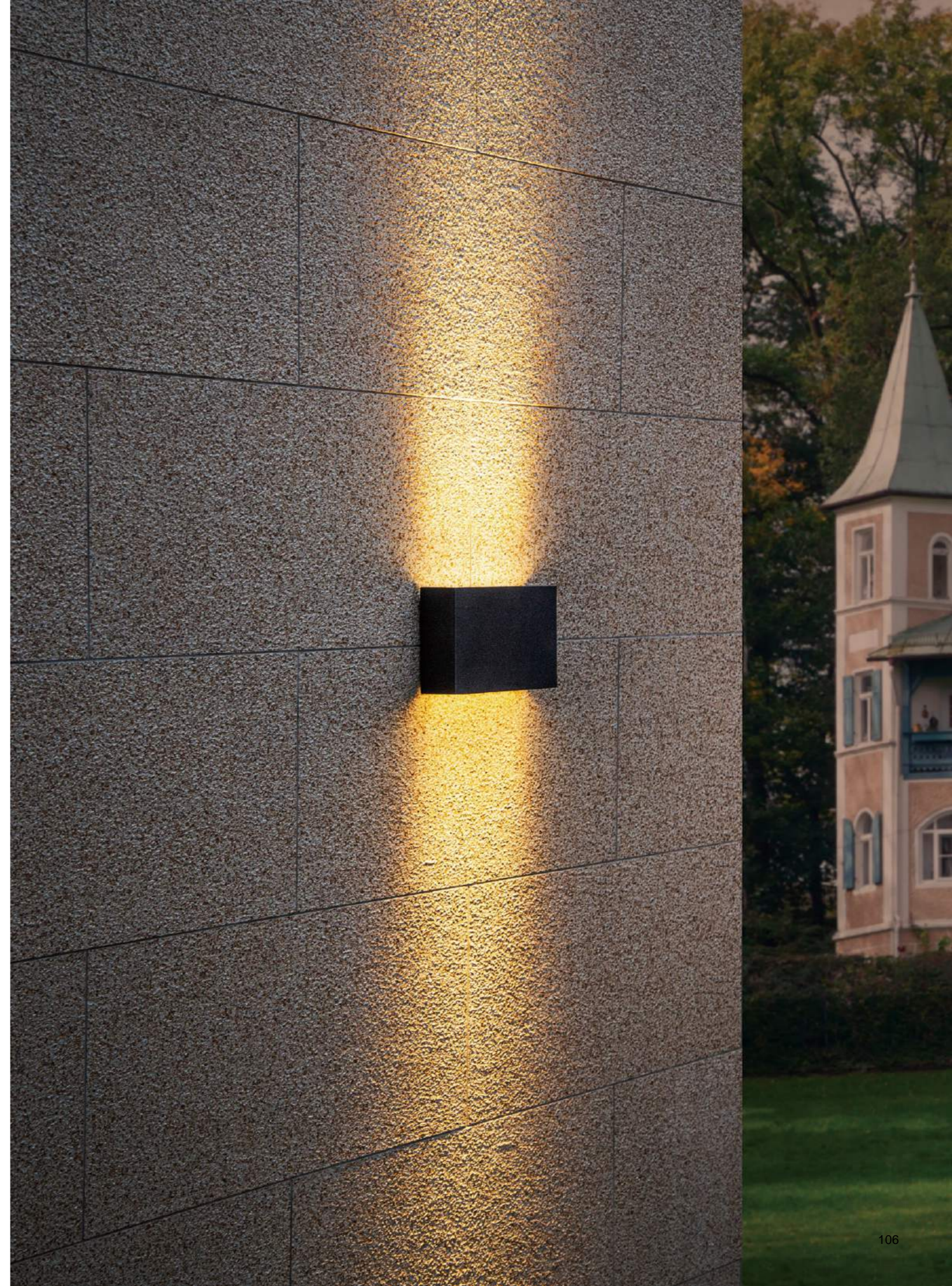


Model	Power	LED voltage	LED Current	CRI	CCT	Beam Angle	LED Output	System output	Dimming Type
 KS-B-003029	10W	30V	300mA	80	2700K	120°	987lm	646lm	ON-OFF TRIAC 1-10V DALI
	10W	30V	300mA	80	3000K	120°	945lm	680lm	ON-OFF TRIAC 1-10V DALI
	10W	30V	300mA	80	3500K	120°	1002lm	721lm	ON-OFF TRIAC 1-10V DALI
	10W	30V	300mA	80	4000K	120°	1021lm	734lm	ON-OFF TRIAC 1-10V DALI

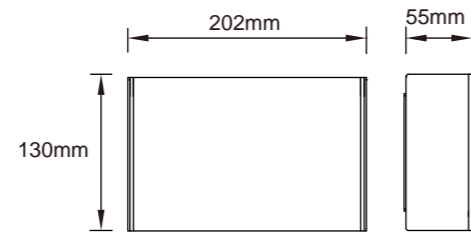
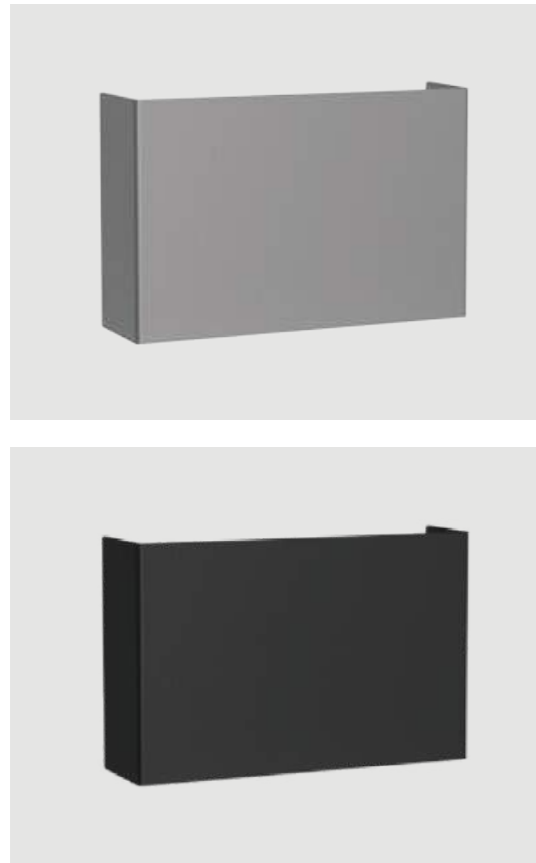
KS-B-013029



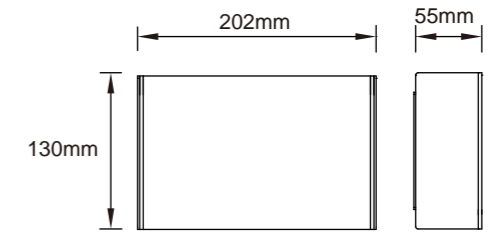
Model	Power	LED voltage	LED Current	CRI	CCT	Beam Angle	LED Output	System output	Dimming Type
 KS-B-013029	10W	30V	300mA	80	2700K	120°	987lm	646lm	ON-OFF TRIAC 1-10V DALI
	10W	30V	300mA	80	3000K	120°	945lm	680lm	ON-OFF TRIAC 1-10V DALI
	10W	30V	300mA	80	3500K	120°	1002lm	721lm	ON-OFF TRIAC 1-10V DALI
	10W	30V	300mA	80	4000K	120°	1021lm	734lm	ON-OFF TRIAC 1-10V DALI





KS-B-003328



KS-B-003331



Model	Power	LED voltage	LED Current	CRI	CCT	Beam Angle	LED Output	System output	Dimming Type
 KS-B-013029	8W*2	24V	300mA	80	2700K	120°	882lm*2	618lm*2	ON-OFF TRIAC 1-10V DALI
	8W*2	24V	300mA	80	3000K	120°	928lm*2	650lm*2	ON-OFF TRIAC 1-10V DALI
	8W*2	24V	300mA	80	3500K	120°	984lm*2	689lm*2	ON-OFF TRIAC 1-10V DALI
	8W*2	24V	300mA	80	4000K	120°	1002lm*2	702lm*2	ON-OFF TRIAC 1-10V DALI

Model	Power	LED voltage	LED Current	CRI	CCT	Beam Angle	LED Output	System output	Dimming Type
 KS-B-003331	8W*2	24V	300mA	80	2700K	120°	882lm*2	618lm*2	ON-OFF TRIAC 1-10V DALI
	8W*2	24V	300mA	80	3000K	120°	928lm*2	650lm*2	ON-OFF TRIAC 1-10V DALI
	8W*2	24V	300mA	80	3500K	120°	984lm*2	689lm*2	ON-OFF TRIAC 1-10V DALI
	8W*2	24V	300mA	80	4000K	120°	1002lm*2	702lm*2	ON-OFF TRIAC 1-10V DALI