

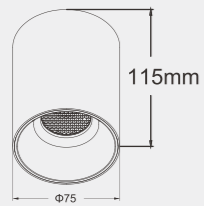


#### MD07 Series Mounted Downlight

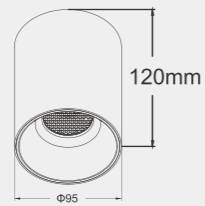
Simple but exquisite, Kam's mounted downlight combines aesthetic features and performance. A variety of choices and customized services depending on your requirements.



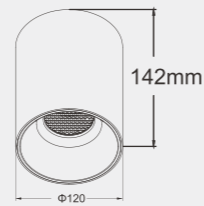
KS-MD07R-A-3  
Power:8W/10W  
Diameter: 75mm  
Height: 115mm



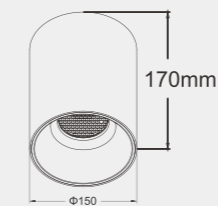
KS-MD07R-A-4  
Power:12W/15W  
Diameter:95mm  
Height: 120mm



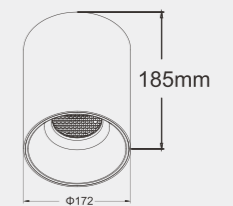
KS-MD07R-A-5  
Power:20W/25W  
Diameter: 120mm  
Height: 142mm



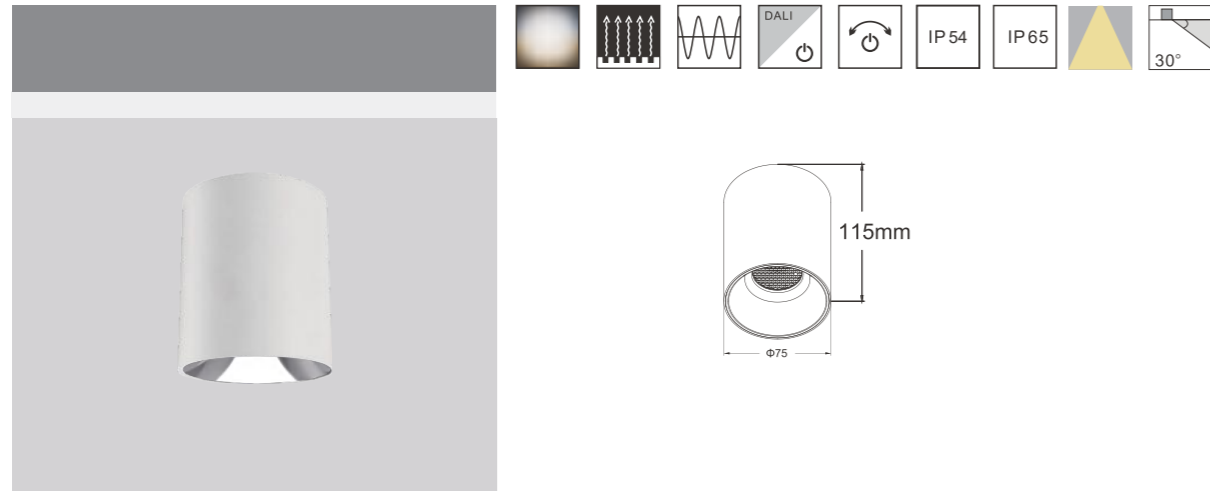
KS-MD07R-A-6  
Power:25W/30W/35W  
Diameter: 150mm  
Height: 170mm



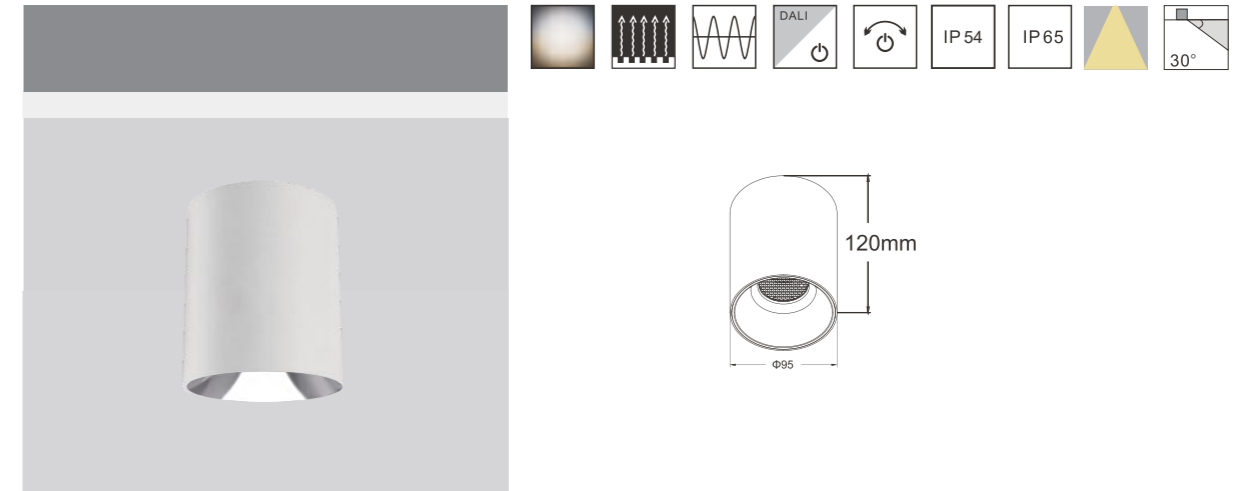
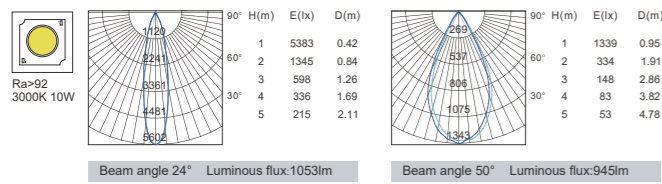
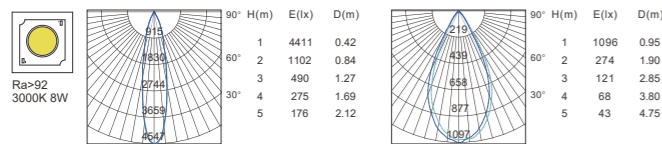
KS-MD07R-A-8  
Power:35W/40W  
Diameter: 185mm  
Height: 172mm



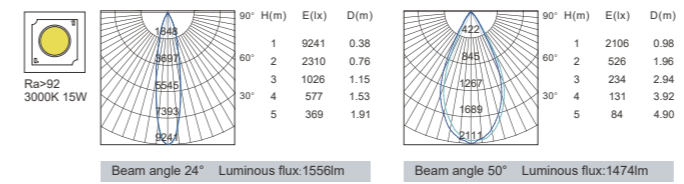
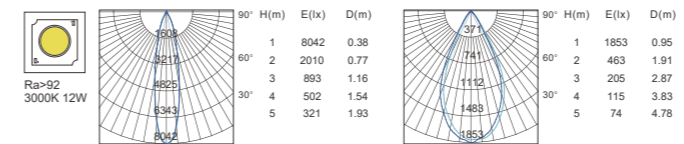
Model	KS-MD07R-A-308	KS-MD07R-A-412	KS-MD07R-A-520		KS-MD07R-A-625	KS-MD07R-A-835
Product Photo						
Dimension(mm)						
Diameter	75	95	120		150	185
Wattage	8W/10W	12W/15W	20W/25W		25W/30W/35W	35W/40W
CCT	2700K 3000K 3500K 4000K	2700K 3000K 3500K 4000K	2700K 3000K 3500K 4000K		2700K 3000K 3500K 4000K	2700K 3000K 3500K 4000K
CRI	>90	>90	>90		>90	>90
Beam Angle	24°/50°	24°/50°	24°/50°		24°/50°	24°/50°
Lumen	820-996LM	1306-1547LM	2173-2696LM		2211-3401LM	2574-3898LM
IP	IP65/54	IP65/54	IP65/54		IP65/54	IP65/54
Dimming	TRIAC/1-10V/DALI	TRIAC/1-10V/DALI	TRIAC/1-10V/DALI		TRIAC/1-10V/DALI	TRIAC/1-10V/DALI
Colour	White+Black	White+Black	White+Black		White+Black	White+Black

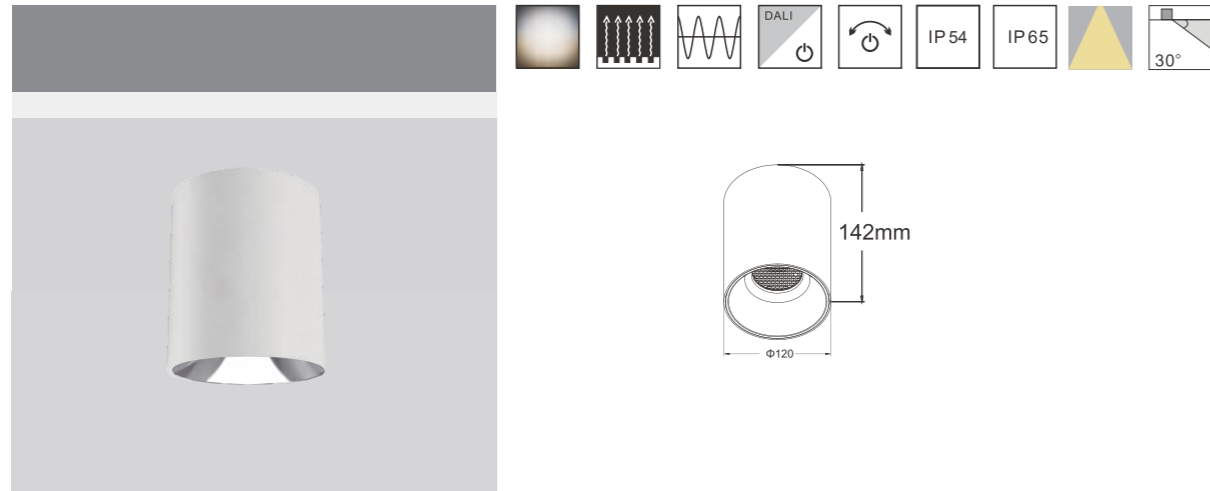


Model	Power	LED voltage	LED Current	CRI	CCT	Beam Angle	LED Output	System output	Dimming Type
KS-MD07R-A-308	8W	34V	200mA	90	2700K	24° 50°	972lm 972lm	820lm 736lm	ON-OFF TRIAC 1-10V DALI
	8W	34V	200mA	90	3000K	24° 50°	1018lm 1018lm	859lm 771lm	ON-OFF TRIAC 1-10V DALI
	8W	34V	200mA	90	4000K	24° 50°	1065lm 1065lm	898lm 806lm	ON-OFF TRIAC 1-10V DALI
KS-MD07R-A-310	10W	34V	250mA	90	2700K	24° 50°	1160lm 1160lm	1001lm 898lm	ON-OFF TRIAC 1-10V DALI
	10W	34V	250mA	90	3000K	24° 50°	1220lm 1220lm	1053lm 945lm	ON-OFF TRIAC 1-10V DALI
	10W	34V	250mA	90	4000K	24° 50°	1286lm 1286lm	1109lm 996lm	ON-OFF TRIAC 1-10V DALI

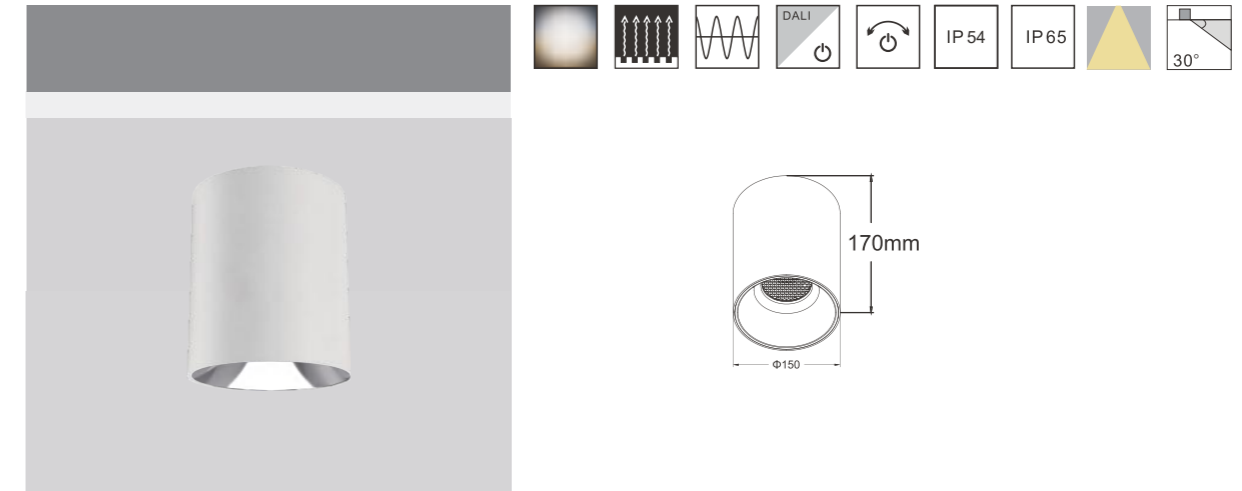
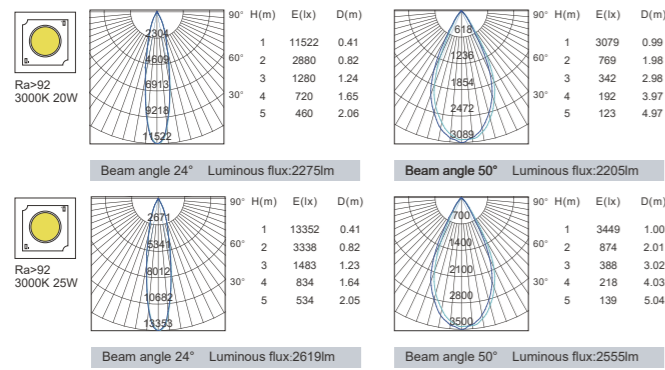


Model	Power	LED voltage	LED Current	CRI	CCT	Beam Angle	LED Output	System output	Dimming Type
KS-MD07R-A-412	12W	34V	300mA	90	2700K	24° 50°	1425lm 1425lm	1304lm 1213lm	ON-OFF TRIAC 1-10V DALI
	12W	34V	300mA	90	3000K	24° 50°	1485lm 1485lm	1359lm 1265lm	ON-OFF TRIAC 1-10V DALI
	12W	34V	300mA	90	4000K	24° 50°	1558lm 1558lm	1425lm 1327lm	ON-OFF TRIAC 1-10V DALI
KS-MD07R-A-415	15W	34V	350mA	90	2700K	24° 50°	1613lm 1613lm	1491lm 1412lm	ON-OFF TRIAC 1-10V DALI
	15W	34V	350mA	90	3000K	24° 50°	1683lm 1683lm	1556lm 1474lm	ON-OFF TRIAC 1-10V DALI
	15W	34V	350mA	90	4000K	24° 50°	1767lm 1767lm	1633lm 1547lm	ON-OFF TRIAC 1-10V DALI



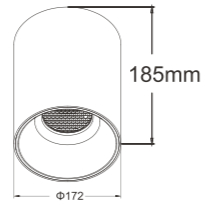
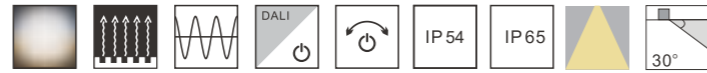


Model	Power	LED voltage	LED Current	CRI	CCT	Beam Angle	LED Output	System output	Dimming Type
KS-MD07R-A-520	20W	34V	500mA	90	2700K	24° 50°	2255lm 2255lm	2173lm 2106lm	ON-OFF TRIAC 1-10V DALI
	20W	34V	500mA	90	3000K	24° 50°	2360lm 2360lm	2275lm 2205lm	ON-OFF TRIAC 1-10V DALI
	20W	34V	500mA	90	4000K	24° 50°	2482lm 2482lm	2392lm 2318lm	ON-OFF TRIAC 1-10V DALI
KS-MD07R-A-525	25W	34V	700mA	90	2700K	24° 50°	2650lm 2650lm	2505m 2444lm	ON-OFF TRIAC 1-10V DALI
	25W	34V	700mA	90	3000K	24° 50°	2770lm 2770m	2619lm 2555lm	ON-OFF TRIAC 1-10V DALI
	25W	34V	700mA	90	4000K	24° 50°	2923lm 2923lm	2763lm 2696lm	ON-OFF TRIAC 1-10V DALI



Model	Power	LED voltage	LED Current	CRI	CCT	Beam Angle	LED Output	System output	Dimming Type
KS-MD07R-A-625	25W	34V	700mA	90	2700K	24° 50°	2750lm 2750lm	2574lm 2485lm	ON-OFF TRIAC 1-10V DALI
	25W	34V	700mA	90	3000K	24° 50°	2871lm 2871lm	2688lm 2595lm	ON-OFF TRIAC 1-10V DALI
	25W	34V	700mA	90	4000K	24° 50°	3020lm 3020lm	2827lm 2729lm	ON-OFF TRIAC 1-10V DALI
KS-MD07R-A-630	30W	34V	800mA	90	2700K	24° 50°	3188lm 3188lm	2937lm 2821lm	ON-OFF TRIAC 1-10V DALI
	30W	34V	800mA	90	3000K	24° 50°	3291lm 3291lm	3032lm 2913lm	ON-OFF TRIAC 1-10V DALI
	30W	34V	800mA	90	4000K	24° 50°	3416lm 3416lm	3147lm 3023lm	ON-OFF TRIAC 1-10V DALI
KA-MD07R-A-635	35W	34V	1000mA	90	2700K	24° 50°	3861lm 3861lm	3705lm 3589lm	ON-OFF TRIAC 1-10V DALI
	35W	34V	1000mA	90	3000K	24° 50°	3996lm 3996lm	3835lm 3715lm	ON-OFF TRIAC 1-10V DALI
	35W	34V	1000mA	90	4000K	24° 50°	4193lm 4193lm	4024lm 3898lm	ON-OFF TRIAC 1-10V DALI

NEW MD07 Series



Model	Power	LED voltage	LED Current	CRI	CCT	Beam Angle	LED Output	System output	Dimming Type
KS-MD07R-A-835	35W	36V	800mA	90	2700K	24° 50°	2420lm 2420lm	2211lm 2244lm	ON-OFF TRIAC 1-10V DALI
	35W	36V	800mA	90	3000K	24° 50°	2720lm 2720lm	2486lm 2523lm	ON-OFF TRIAC 1-10V DALI
	35W	36V	800mA	90	4000K	24° 50°	3080lm 3080lm	2815lm 2856lm	ON-OFF TRIAC 1-10V DALI
KS-MD07R-A-840	40W	36V	1000mA	90	2700K	24° 50°	2924lm 2924lm	2553lm 2624lm	ON-OFF TRIAC 1-10V DALI
	40W	36V	1000mA	90	3000K	24° 50°	3330lm 3330lm	2908lm 2989lm	ON-OFF TRIAC 1-10V DALI
	40W	36V	1000mA	90	4000K	24° 50°	3790lm 3790lm	3309lm 3401lm	ON-OFF TRIAC 1-10V DALI

