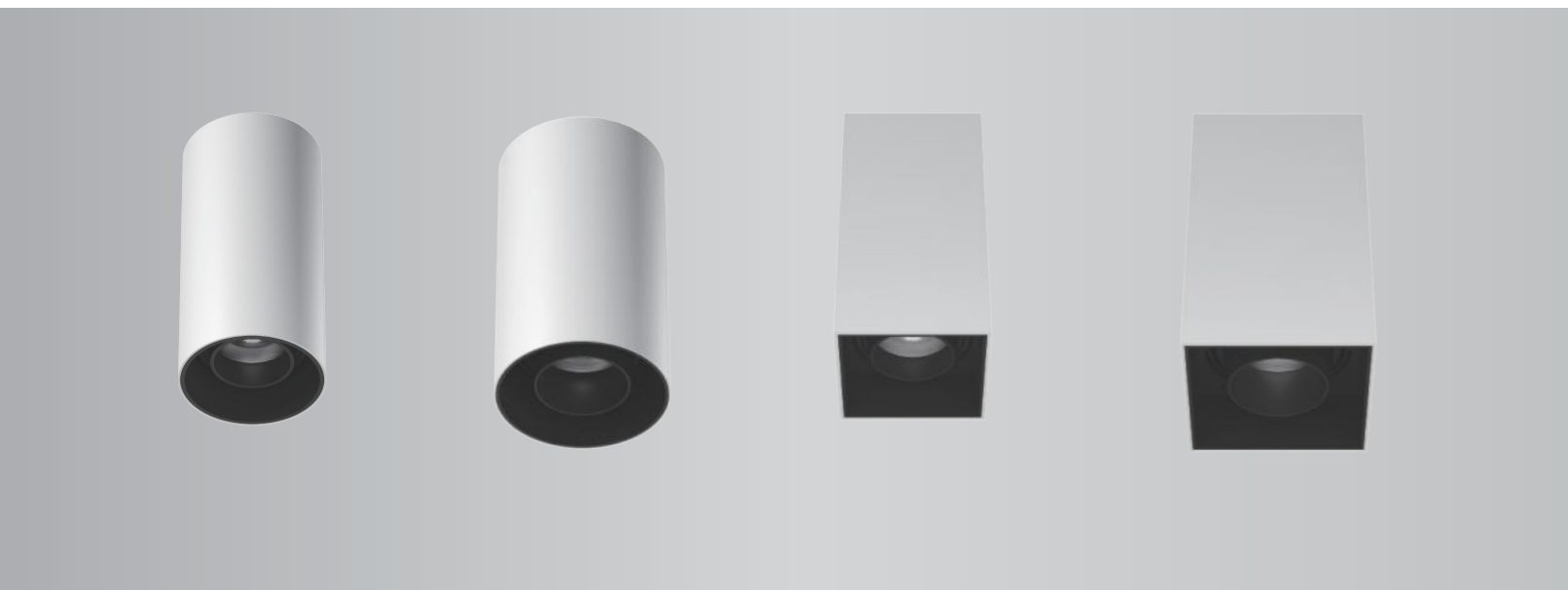




### MD16 Series Mounted Downlight

Simple but exquisite, Kam's mounted downlight combines aesthetic features and performance. A variety of choices and customized services depending on your requirements.



KS-MD16-A-308  
Power:8W/10W  
Diameter: 70mm  
Height: 140mm



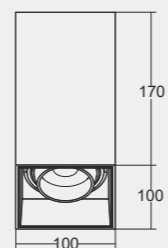
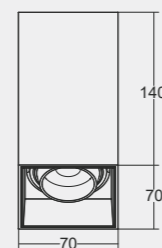
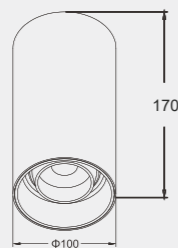
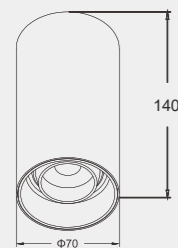
KS-MD16-A-415  
Power:15W/20W  
Diameter:100mm  
Height: 170mm



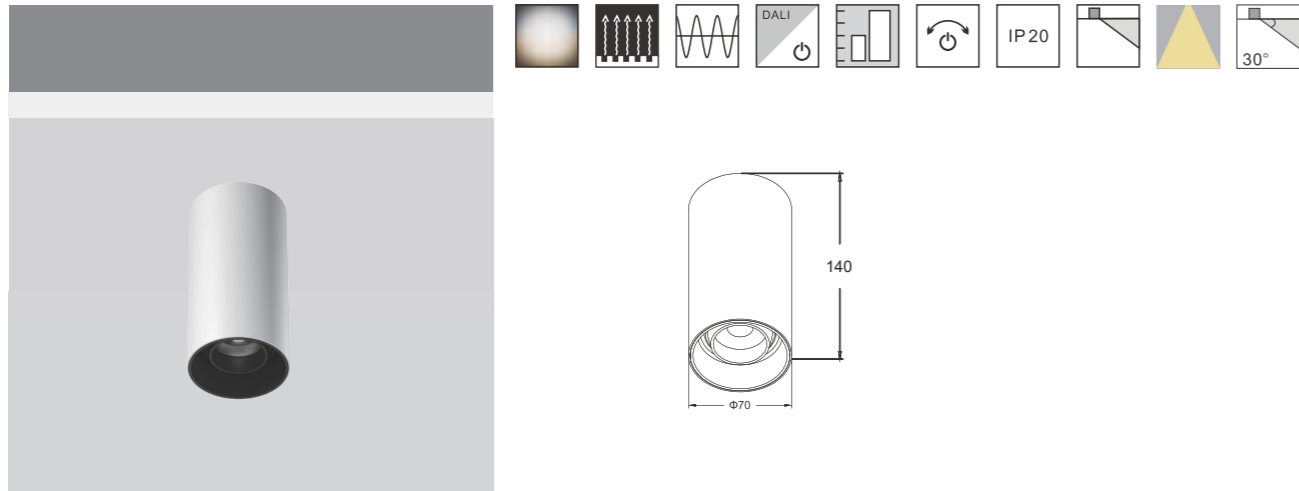
KS-MD16-B-308  
Power:8W/10W  
Diameter: 70mm  
Height: 140mm



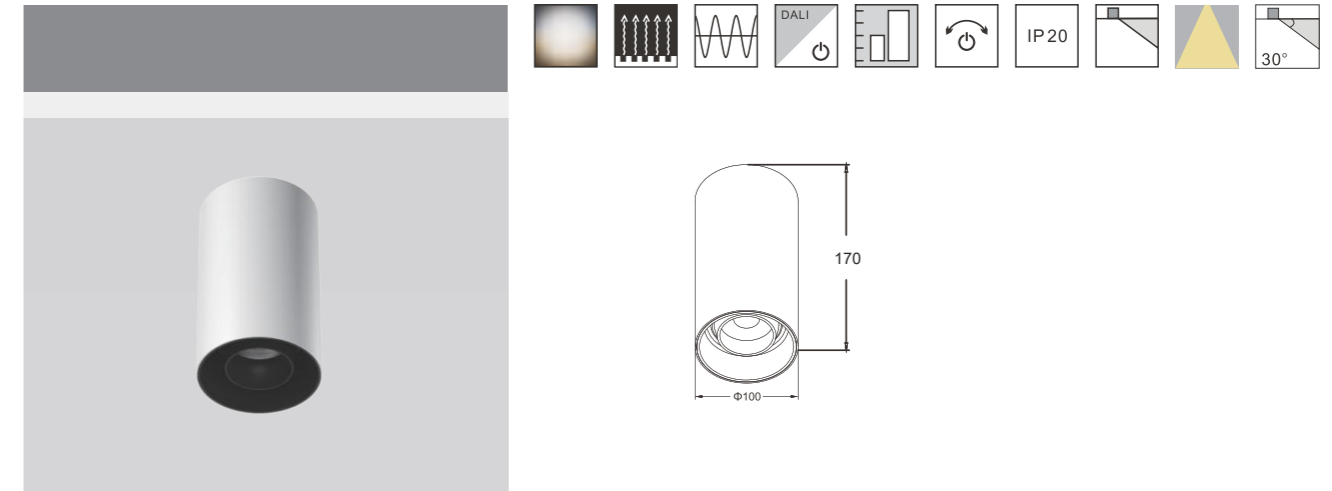
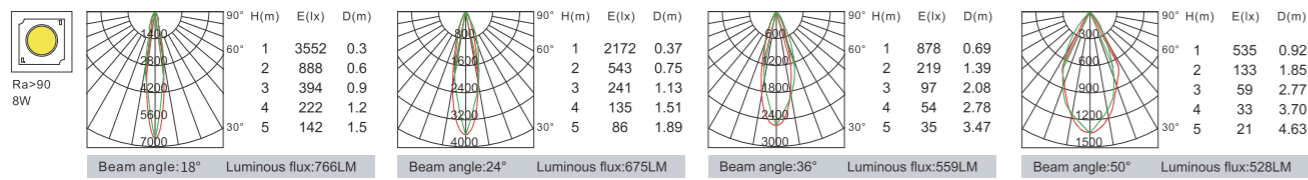
KS-MD16-B-415  
Power:15W/20W  
Diameter: 100mm  
Height: 170mm



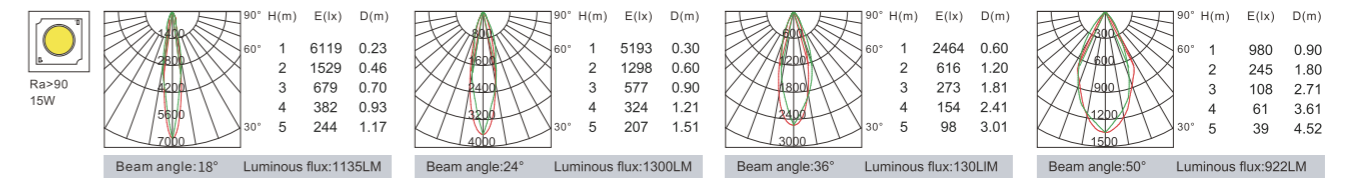
Model	KS-MD16-A-308	KS-MD16-A-415	KS-MD16-B-308	KS-MD16-B-415
Product Photo				
Dimension(mm)				
Diameter	70	100	70*70	100*100
Wattage	8W/10W	15W/20W	8W/10W	15W/20W
CCT	2700K 3000K 3500K 4000K	2700K 3000K 3500K 4000K	2700K 3000K 3500K 4000K	2700K 3000K 3500K 4000K
CRI	>90	>90	>90	>90
Beam Angle	18°/24°/36°/50°	18°/24°/36°/50°	18°/24°/36°/50°	18°/24°/36°/50°
Lumen	737-967LM	1092-1735LM	737-967LM	1092-1735LM
IP	IP20	IP20	IP20	IP20
Dimming	TRIAC/1-10V/DALI	TRIAC/1-10V/DALI	TRIAC/1-10V/DALI	TRIAC/1-10V/DALI
Colour	White+black	White+black	White+black	White+black

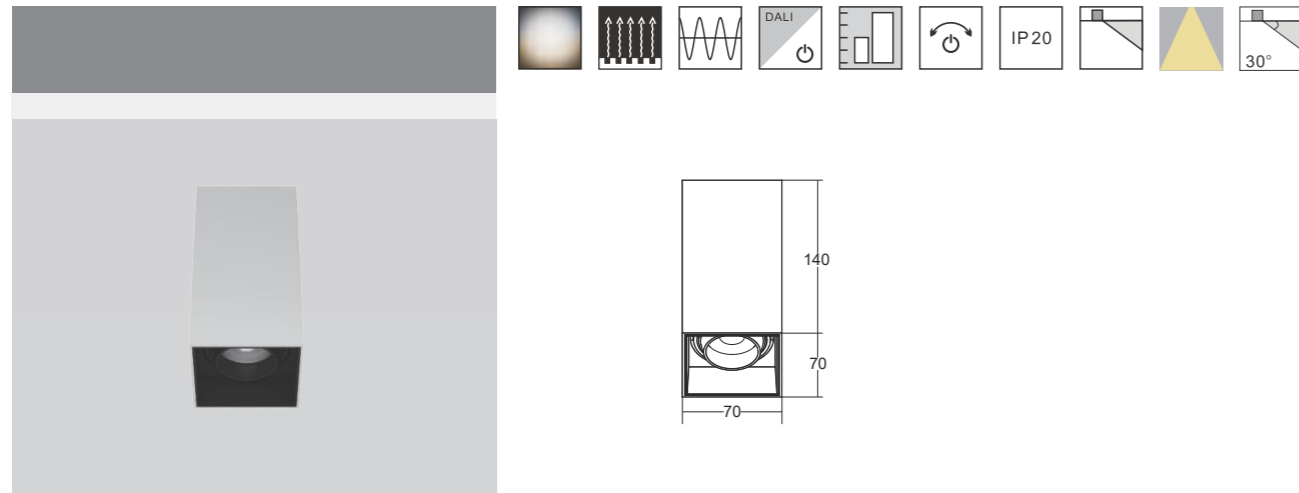


Model	Power	LED voltage	LED Current	CRI	CCT	Beam Angle	LED Output	System output	Dimming Type
KS-MD16-A-308	8W	36V	200mA	90	2700K	18°	741lm	737lm	ON-OFF
						24°	741lm	649lm	TRIAC
						36°	741lm	537lm	1-10V
						50°	741lm	508lm	DALI
KS-MD16-A-310	10W	36V	250mA	90	2700K	18°	927lm	905lm	ON-OFF
						24°	927lm	854lm	TRIAC
						36°	927lm	757lm	1-10V
						50°	927lm	658lm	DALI
KS-MD16-A-310	10W	36V	250mA	90	3000K	18°	963lm	941lm	ON-OFF
						24°	963lm	888lm	TRIAC
						36°	963lm	729lm	1-10V
						50°	963lm	684lm	DALI
KS-MD16-A-310	10W	36V	250mA	90	4000K	18°	1008lm	967lm	ON-OFF
						24°	1008lm	929lm	TRIAC
						36°	1008lm	763lm	1-10V
						50°	1008lm	715lm	DALI

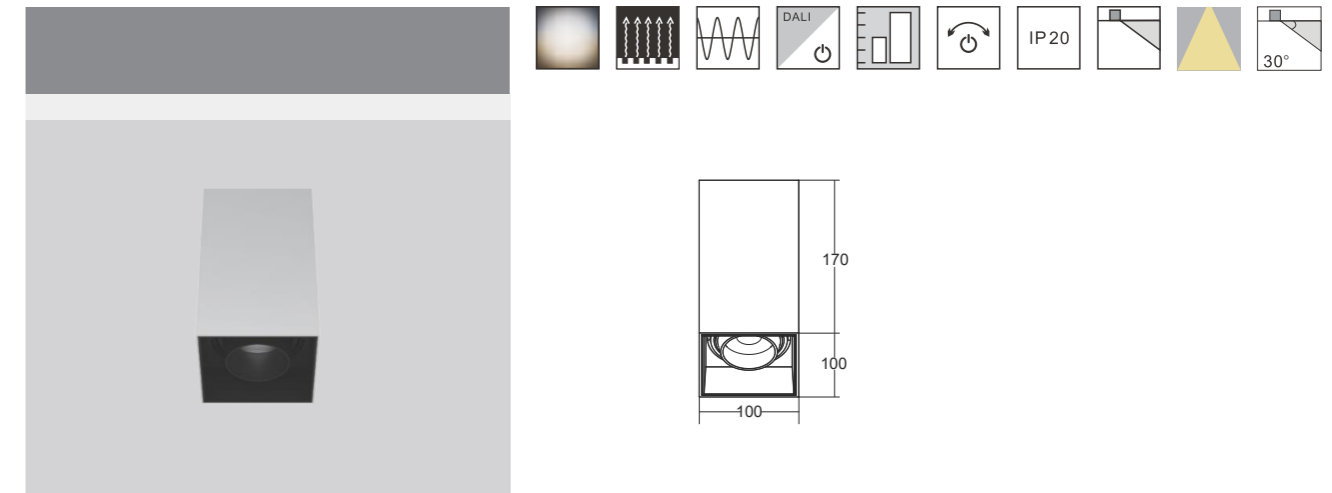
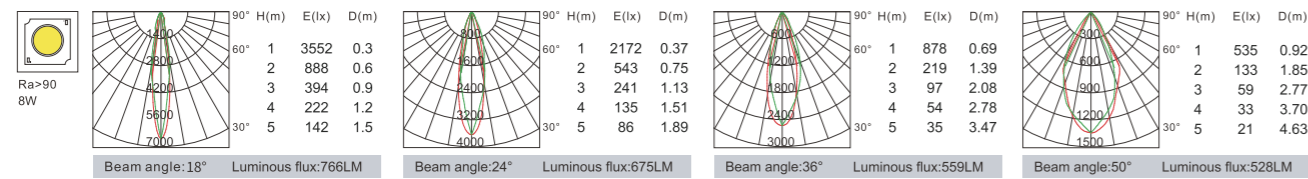


Model	Power	LED voltage	LED Current	CRI	CCT	Beam Angle	LED Output	System output	Dimming Type
KS-MD16-A-415	15W	36V	350mA	90	2700K	18°	1297lm	1092lm	ON-OFF
						24°	1297lm	1250lm	TRIAC
						36°	1297lm	1251lm	1-10V
						50°	1297lm	885lm	DALI
KS-MD16-A-415	15W	36V	350mA	90	3000K	18°	1348lm	1135lm	ON-OFF
						24°	1348lm	1300lm	TRIAC
						36°	1348lm	1301lm	1-10V
						50°	1348lm	922lm	DALI
KS-MD16-A-415	15W	36V	350mA	90	4000K	18°	1411lm	1188lm	ON-OFF
						24°	1411lm	1360lm	TRIAC
						36°	1411lm	1361lm	1-10V
						50°	1411lm	965lm	DALI
KS-MD16-A-420	20W	36V	500mA	90	2700K	18°	1854lm	1416lm	ON-OFF
						24°	1854lm	1694lm	TRIAC
						36°	1854lm	1596lm	1-10V
						50°	1854lm	1184lm	DALI
KS-MD16-A-420	20W	36V	500mA	90	3000K	18°	1926lm	1472lm	ON-OFF
						24°	1926lm	1760lm	TRIAC
						36°	1926lm	1658lm	1-10V
						50°	1926lm	1231lm	DALI
KS-MD16-A-420	20W	36V	500mA	90	4000K	18°	2016lm	1540lm	ON-OFF
						24°	2016lm	1842lm	TRIAC
						36°	2016lm	1735lm	1-10V
						50°	2016lm	1288lm	DALI





Model	Power	LED voltage	LED Current	CRI	CCT	Beam Angle	LED Output	System output	Dimming Type
KS-MD16-B-308	8W	36V	200mA	90	2700K	18°	741lm	737lm	ON-OFF
						24°	741lm	649lm	TRIAC
						36°	741lm	537lm	1-10V
						50°	741lm	508lm	DALI
	8W	36V	200mA	90	3000K	18°	770lm	766lm	ON-OFF
						24°	770lm	675lm	TRIAC
						36°	770lm	559lm	1-10V
						50°	770lm	528lm	DALI
	8W	36V	200mA	90	4000K	18°	806lm	801lm	ON-OFF
						24°	806lm	706lm	TRIAC
						36°	806lm	585lm	1-10V
						50°	806lm	552lm	DALI
KS-MD16-B-310	10W	36V	250mA	90	2700K	18°	927lm	905lm	ON-OFF
						24°	927lm	854lm	TRIAC
						36°	927lm	701lm	1-10V
						50°	927lm	656lm	DALI
	10W	36V	250mA	90	3000K	18°	963lm	941lm	ON-OFF
						24°	963lm	888lm	TRIAC
						36°	963lm	729lm	1-10V
						50°	963lm	684lm	DALI
	10W	36V	250mA	90	4000K	18°	1008lm	984lm	ON-OFF
						24°	1008lm	929lm	TRIAC
						36°	1008lm	763lm	1-10V
						50°	1008lm	715lm	DALI



Model	Power	LED voltage	LED Current	CRI	CCT	Beam Angle	LED Output	System output	Dimming Type
KS-MD16-A-415	15W	36V	350mA	90	2700K	18°	1297lm	1092lm	ON-OFF
						24°	1297lm	1250lm	TRIAC
						36°	1297lm	1251lm	1-10V
						50°	1297lm	885lm	DALI
	15W	36V	350mA	90	3000K	18°	1348lm	1135lm	ON-OFF
						24°	1348lm	1300lm	TRIAC
						36°	1348lm	1301lm	1-10V
						50°	1348lm	922lm	DALI
	15W	36V	350mA	90	4000K	18°	1411lm	1188lm	ON-OFF
						24°	1411lm	1360lm	TRIAC
						36°	1411lm	1361lm	1-10V
						50°	1411lm	965lm	DALI
KS-MD16-A-420	20W	36V	500mA	90	2700K	18°	1854lm	1416lm	ON-OFF
						24°	1854lm	1694lm	TRIAC
						36°	1854lm	1596lm	1-10V
						50°	1854lm	1184lm	DALI
	20W	36V	500mA	90	3000K	18°	1926lm	1472lm	ON-OFF
						24°	1926lm	1760lm	TRIAC
						36°	1926lm	1658lm	1-10V
						50°	1926lm	1231lm	DALI
	20W	36V	500mA	90	4000K	18°	2016lm	1540lm	ON-OFF
						24°	2016lm	1842lm	TRIAC
						36°	2016lm	1735lm	1-10V
						50°	2016lm	1288lm	DALI

