

## KS-J204-9W/KS-J204-27W



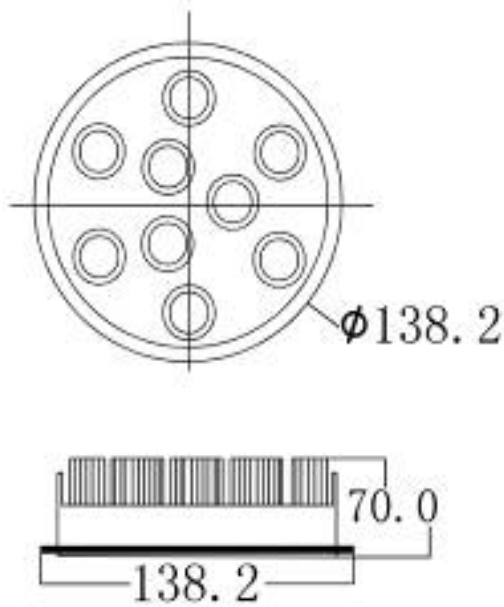
### Feature:

1. Good design for heat dissipation
2. LED Color : Cool White, Warm White
3. Energy-saving and environment-friendly
4. Low power consumption
5. Low malfunction rate
6. Easy repair
7. Low heat emission rate and low disposal rate
8. No UV or IR radiation
9. Long Lifespan: 50,000 hours
10. Working Temperature: -40~50 degrees celsius
11. Brightness Degradation: 3%~5% /1kh

### Application:

LED Jewellery Lights are suitable for both domestic and business lighting. LED jewellery lights can be used in houses, offices, exhibition halls, restaurants, hotels, malls, warehouses, parking lots, shops, etc.

## Basic Specification:



Item No.	LED Power	LED QTY	LED Chip	Luminous Flux	Weight / PC	Color Temperature
KS-J204-9W	9W	9*1W	Edison	cool white : 810 LM	N.W.: 565g	(CW) 6000-6500K (WW) 2800-3200K
				warm white : 540 LM	G.W.: 715g	
KS-J204-27W	27W	9*3W	Cree	cool white : 1530 LM	N.W.: 720g	
				warm white : 1260 LM	G.W.: 870g	
Input Voltage : 100 - 240V AC      50Hz -60Hz						
Input Current : 350±5% -700±5% mA						
LED Color : Cool White ; Warm White						
Dimension : 138.2mmX70mm      Φ130mm						
Beam Angle : 15°/25°/45°/60°/120°						
Material : Aluminum Pmma Alloy						
Lifespan : 50,000 hours						





## Installation Instruction:

- 1.AC 100-240V Working directly
- 2.Working Temperature: -40~50 degrees celsius

## Packing

1pc/white box; 54pcs/carton

Box Size:145\*145\*105mm

Carton Size: 540\*540\*460mm

N.W.:38KG

G.W.:40KG

## Product Warranty :

Kam's LED Light has 2-year warranty from the date of shipment from our factory. Within this period product failures which are related to defective material or workmanship will be repaired or completely replaced free of charge to customers.

Warranty claims for normal degradation of LED Light output over time is excluded. Product damages caused by inappropriate or negligent handling can not be claimed under warranty conditons. We will pay for the freight, handling & insurance charges of both sending back defective products in accordance with our warranty clause to us and the sending the repaired / replaced product to customer.

## Notice:

- 1.No pressing or striking
- 2.Transport and handle carefully
- 3.Pay attention to the voltage before using
- 4.Indoor use only
- 5.No twisting when power is on