

KS-J205-7W/KS-J205-21W



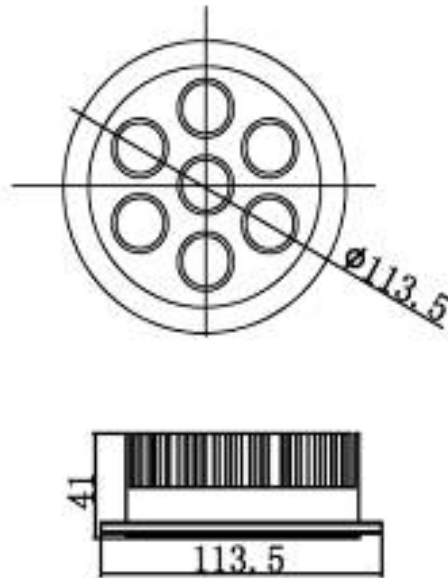
Feature:

1. Good design for heat dissipation
2. LED Color : Cool White, Warm White, Red, Blue, Green and Yellow
3. Energy-saving and environment-friendly
4. Low power consumption
5. Low malfunction rate
6. Easy repair
7. Low heat emission rate and low disposal rate
8. No UV or IR radiation
9. Long Lifespan: 50,000 hours
10. Working Temperature: -40~50 degrees celsius
11. Brightness Degradation: 3%~5% /1kh

Application:

LED Jewellery Lights are suitable for both domestic and business lighting. LED jewellery lights can be used in houses, offices, exhibition halls, restaurants, hotels, malls, warehouses, parking lots, shops, etc.

Basic Specification:



Item No.	LED Power	LED QTY	LED Chip	Luminous Flux	Weight / PC	Color Temperature
KS-J205-7W	7W	7*1W	Edison	cool white : 630 LM	N.W.: 430g	(CW) 6000-6500K (WW) 2800-3200K
				warm white : 420 LM	G.W.: 490g	
KS-J205-21W	21W	7*3W	Cree	cool white : 1190 LM	N.W.: 630g	
				warm white : 980 LM	G.W.: 695g	
Input Voltage : 100 - 240V AC 50Hz -60Hz						
Input Current : 350±5% -700±5% mA						
LED Color : Cool White ; Warm White						
Dimension : 113.5mmX41mm Φ104mm						
Beam Angle : 15°/25°/45°						
Material : Aluminum Pmma Alloy						
Lifespan : 50,000 hours						





Installation Instruction:

- 1.AC 100-240V Working directly
- 2.Working Temperature: -40~50 degrees celsius

Packing

1pc/white box;64pcs/carton
Box Size: 125*126*105mm
Carton Size:540*525*460mm
N.W.: 31.5KG
G.W.: 33KG

Product Warranty :

Kam's LED Light has 2-year warranty from the date of shipment from our factory. Within this period product failures which are related to defective material or workmanship will be repaired or completely replaced free of charge to customers.

Warranty claims for normal degradation of LED Light output over time is excluded. Product damages caused by inappropriate or negligent handling can not be claimed under warranty conditons. We will pay for the freight, handling & insurance charges of both sending back defective products in accordance with our warranty clause to us and the sending the repaired / replaced product to customer.

Notice:

- 1.No pressing or striking
- 2.Transport and handle carefully
- 3.Pay attention to the voltage before using
- 4.Indoor use only
- 5.No twisting when power is on